



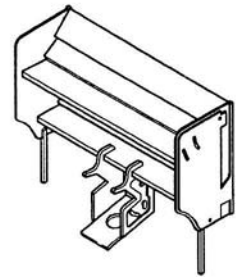
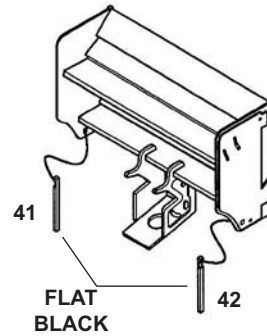
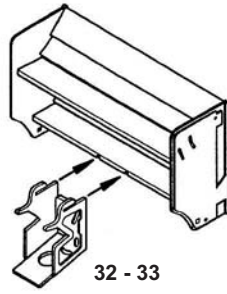
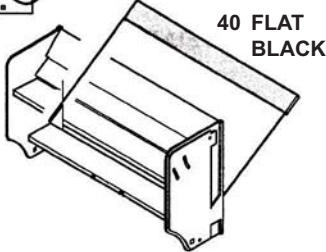
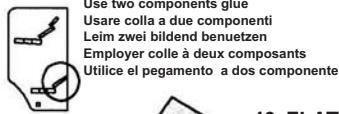
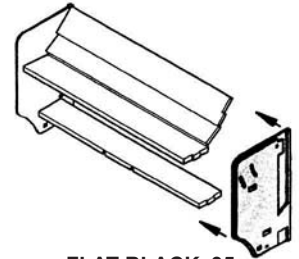
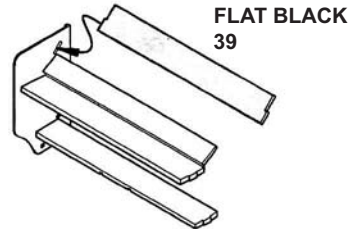
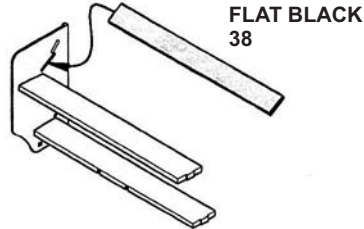
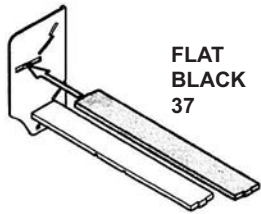
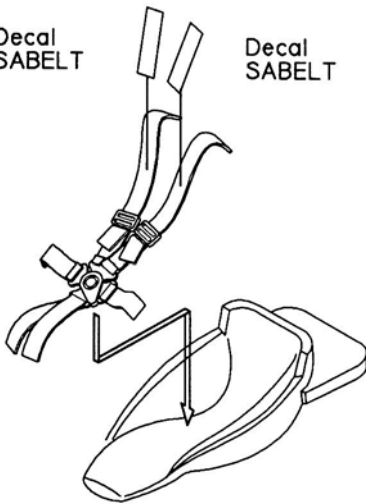
**TMK153 WILLIAMS RENAULT FW14b
SOUTH AFRICAN G.P. 1992**



The Williams, name, Williams logo and the Williams car design and trademarks and/or intellectual property rights owned by Williams Grand Prix Engineering Limited. All rights reserved.
© Williams Grand Prix Engineering Limited 2007



TAMBO KITS

DDecal
SABELTDecal
SABELTFLAT
RED
4344
FLAT
BLACK**E**YELLOW 45
YELLOW 47

49 FLAT BLACK

YELLOW 46

48 YELLOW

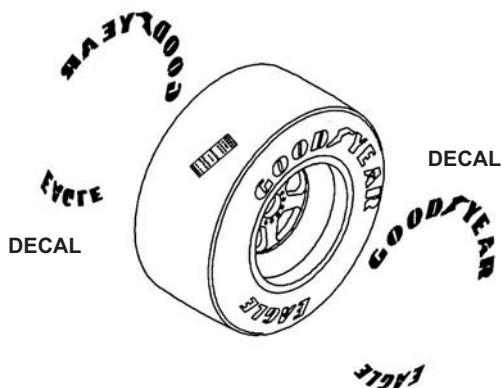
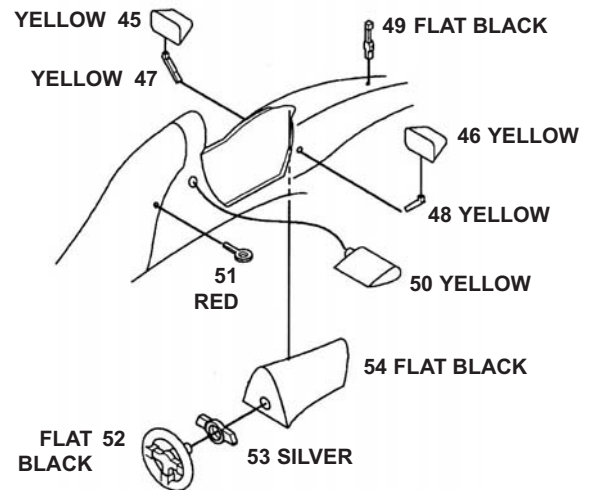
51
RED

50 YELLOW

54 FLAT BLACK

FLAT 52
BLACK

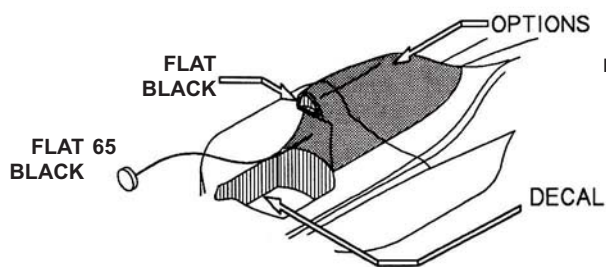
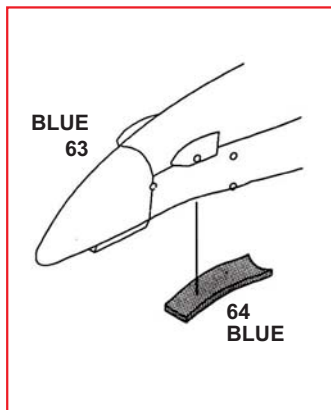
53 SILVER

55x2
FLAT
BLACK59x2
FLAT BLACK56x2
FLAT
BLACK60x2
FLAT BLACK57x2
FLAT
BLACK61x2
FLAT BLACK

58x2

62x2

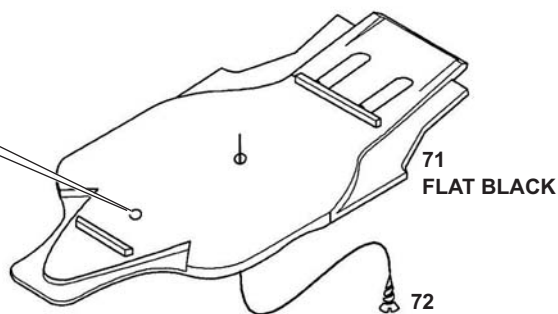
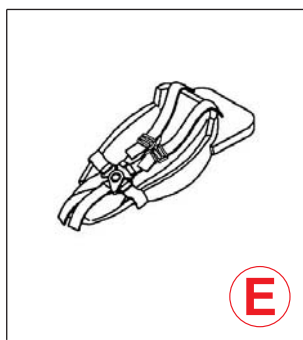
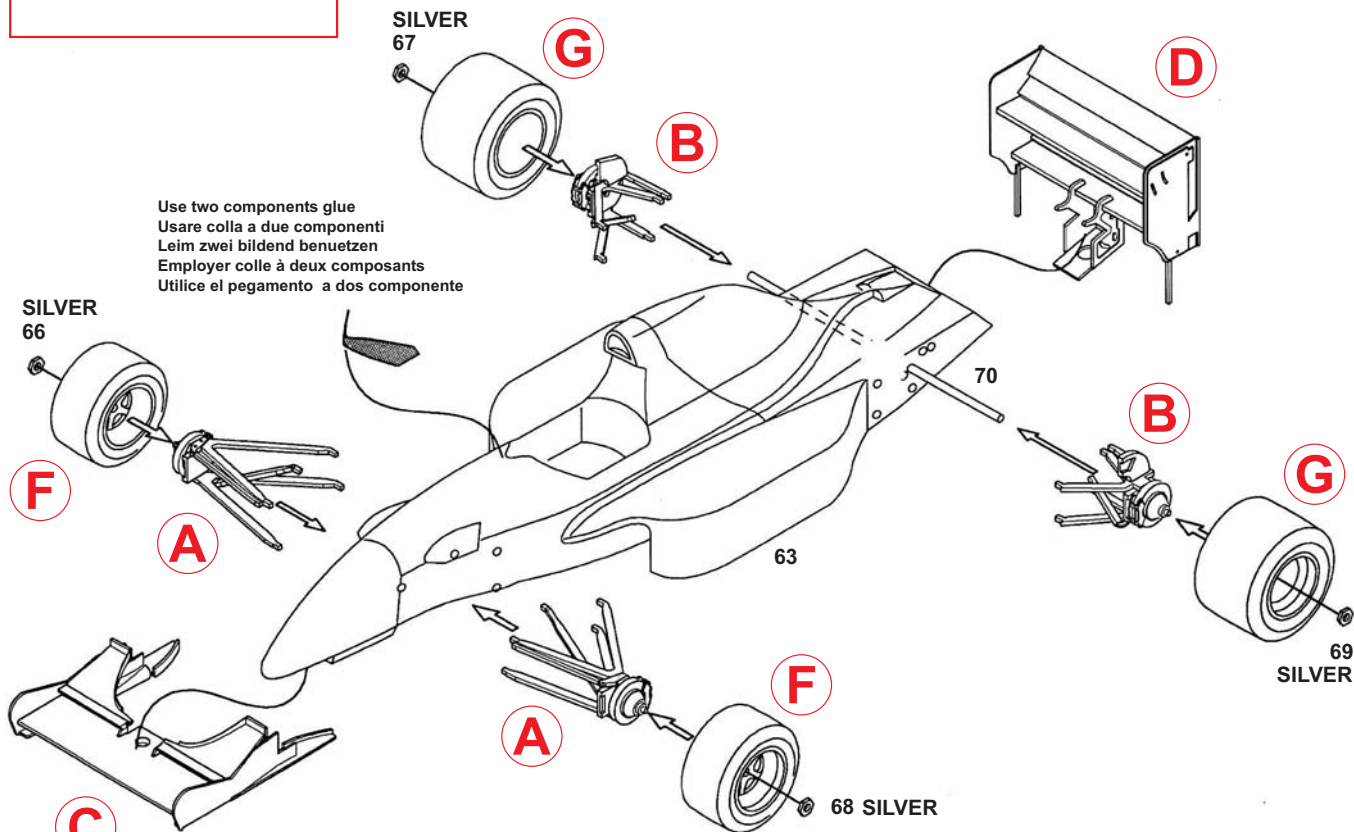
F**G**



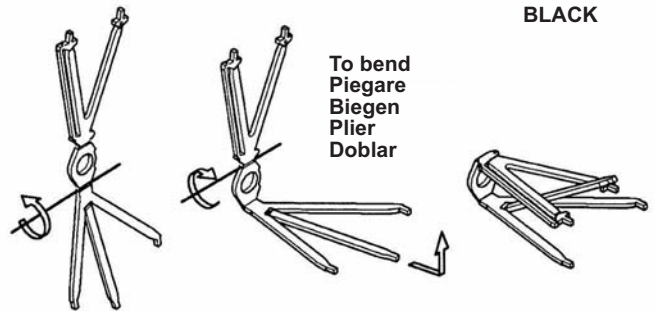
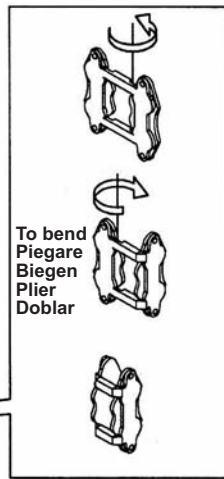
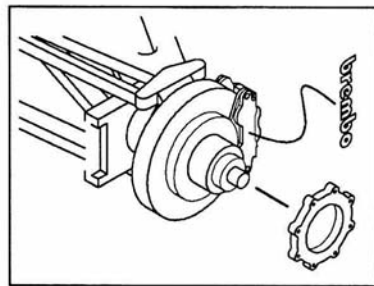
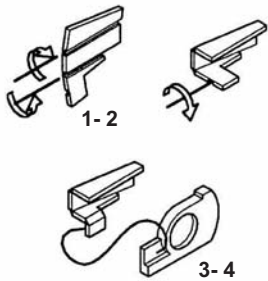
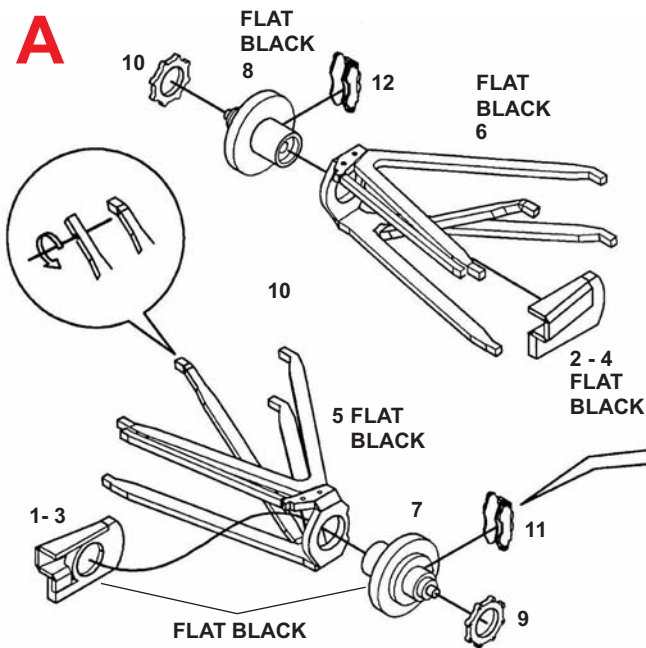
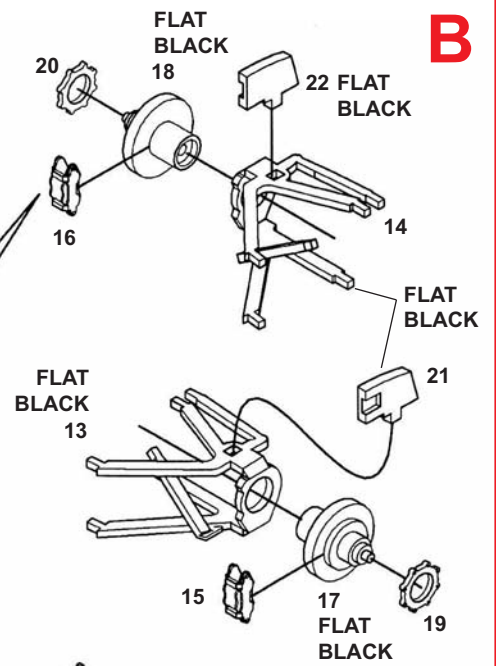
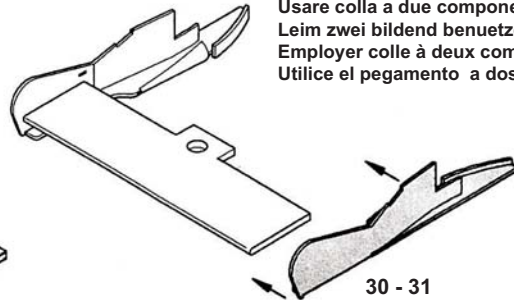
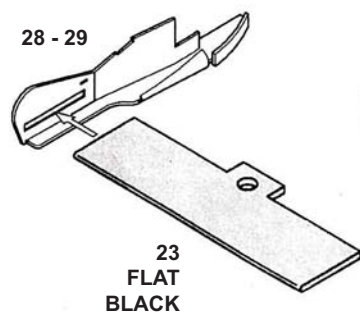
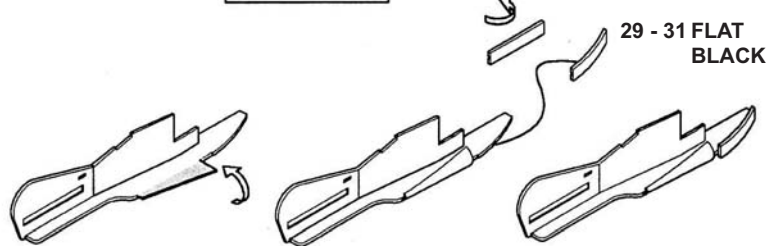
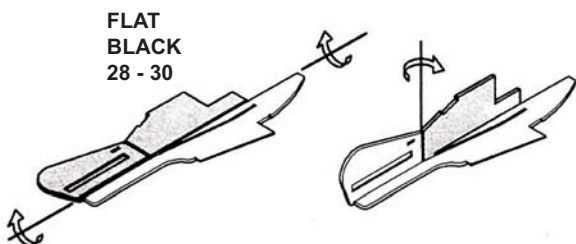
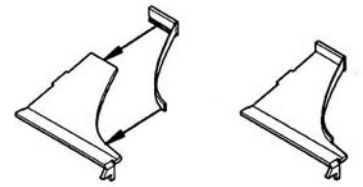
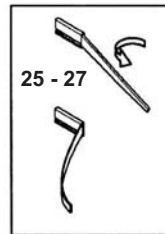
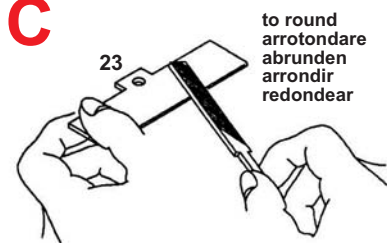
Paint in yellow or put the decal
 Verniciare in giallo o applicare la decal
 Firnissen im gelb oder der decal anwenden
 Vernir en jaune ou appliquer la decalque
 Pintar amarillo o poner la decal



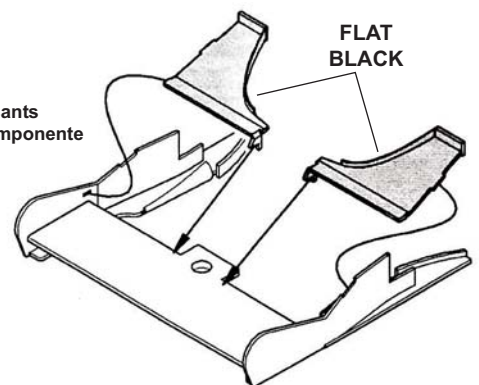
Use two components glue
 Usare colla a due componenti
 Leim zwei bildend benuetzen
 Employer colle à deux composants
 Utilice el pegamento a dos componente



BLUE BLU BLAU BLEU AZUL	NISSAN BR7 BLUE PORSCHE L 39 F BLAU VOLKSWAGEN LP5K LIMOGES BLAU FIAT 479/A BLU LINE
SILVER ARGENTO SILBER ARGENT PLATA TAMIYA X11	YELLOW GIALLO GELB JAUNE AMARILLO TAMIYA X8
FLAT BLACK NERO OPACO MATTSCHWARZ NOIRE OPAQUE NEGRO OPACO TAMIYA XF1	RED ROSSO ROT ROUGE ROJO TAMIYA X7
FLAT RED ROSSO OPACO MATTRROT ROUGE OPAQUE ROJO MATE TAMIYA XF7	

A**B****C**

Use two components glue
 Usare colla a due componenti
 Leim zwei bildend benutzen
 Employer colle à deux composants
 Utilice el pegamento a dos componentes



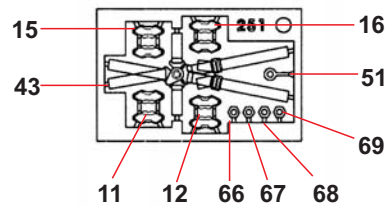
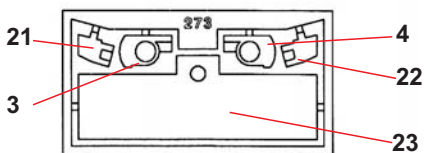
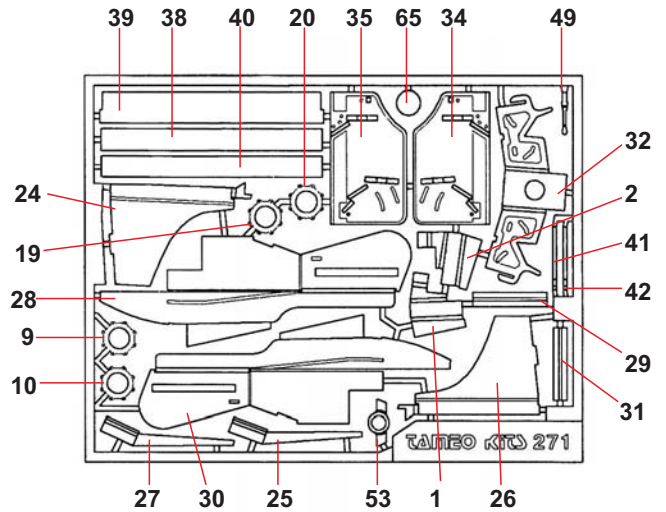
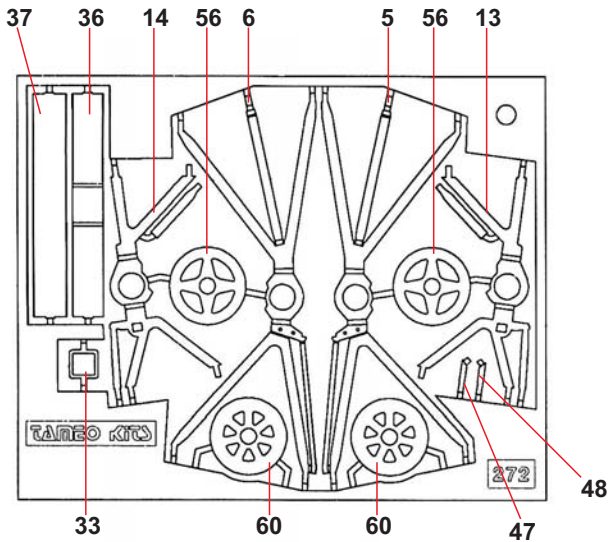
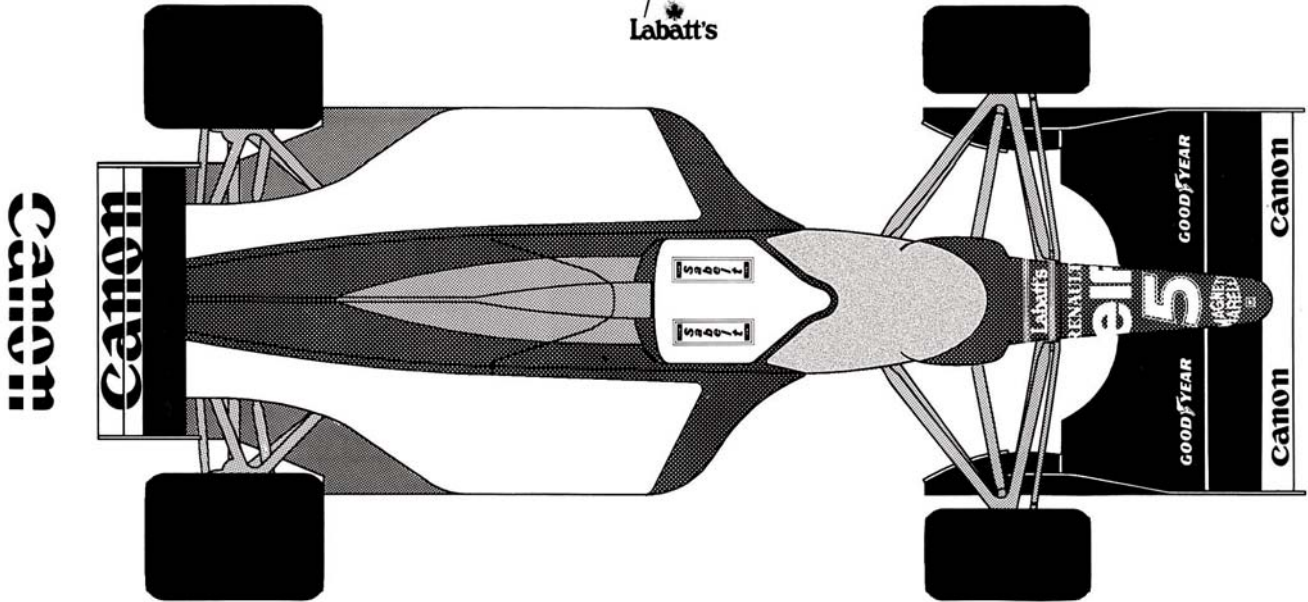
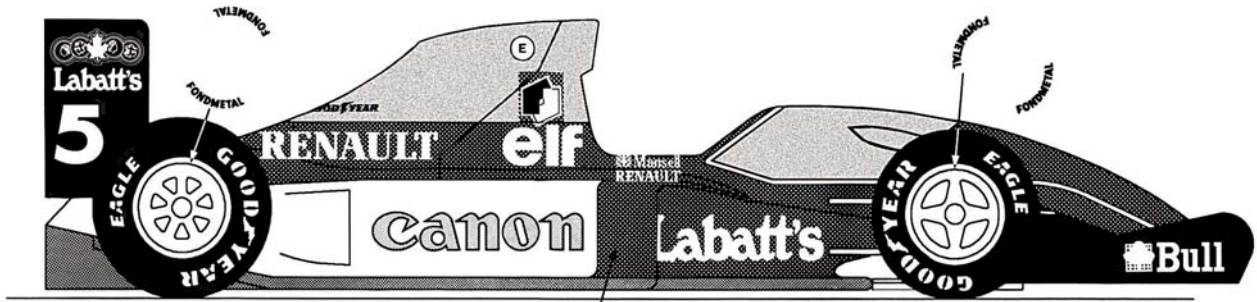
TMK 153

5 - N. Mansell

1st

6 - R. Patrese

2nd



TAMEO KITS srl

Via Valle, 111 - P.O. Box 61
17022 BORGIO VEREZZI SV ITALY
Tel. 39 019 - 615.250 Fax. 39 019 - 615.310

website www.tameokits.com
e-mail sales@tameokits.com
e-mail technical@tameokits.com

Made in Italy. Collector 1/43 Scale Models. Vietata la vendita ai minori di 14 anni. Nocivo per ingestione. Conservare fuori dalla portata dei bambini. Tameo Kits declina ogni responsabilità per un uso improprio del prodotto.

Made in Italy. Collector 1/43 Scale Models. Not for sale to persons under 14 years of age. Dangerous if swallowed. Keep out of reach of children. Tameo Kits not held responsible for any damage or injury resulting from improper use of the product.

Made in Italy. Collector 1/43 Scale Models. Vente interdite aux enfants de moins de 14 ans. Dangereux si avalé. Von Kindern ferhalten. Tameo Kits declina toute responsabilité dans le cas de dommages dérivants de l'usage non approprié du produit.

Made in Italy. Collector 1/43 Scale Models. Verkauf an jugendliche unter 14 Jahren verboten. Schädlich bei Einnahme. Von Kindern ferhalten. Tameo Kits Lehnt jede Verantwortung bei unkorrektem Gebrauch seines Produktes ab.

Hecho en Italia. Colección de modelos a escala 1/43. Prohibida la venta a menores de 14 años. No comestible. Mantener fuera del alcance de los niños. Tameo Kits no se hace responsable de los daños causados por el uso incorrecto de este producto.