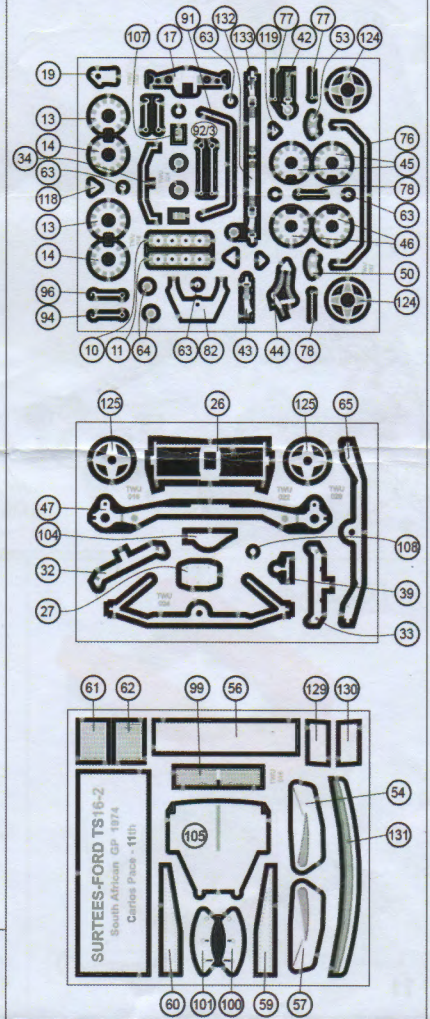


At the 1974 South African GP the TS16 cars were raced in the colours of their new main sponsor, Bang & Olufsen. Carlos Pace qualified second on the grid, only 0.05 seconds behind Niki Lauda. After a slow start he managed to finish the race in 11th place. Jochen Mass was involved in the collision between Ronnie Peterson and Jacky Ickx and retired at the first corner.

In Spain, Mass worked his way up to 7th place until a broken gearbox forced him to retire on lap 35. Carlos Pace parted ways with B&O Team Surtees before the French GP and moved to Brabham.

Photo Etch Sheets

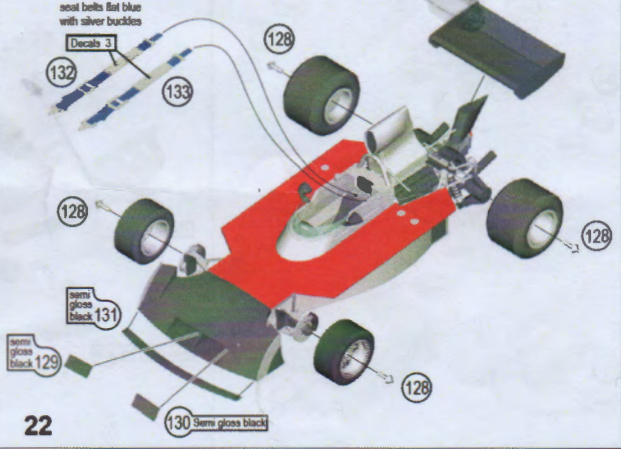
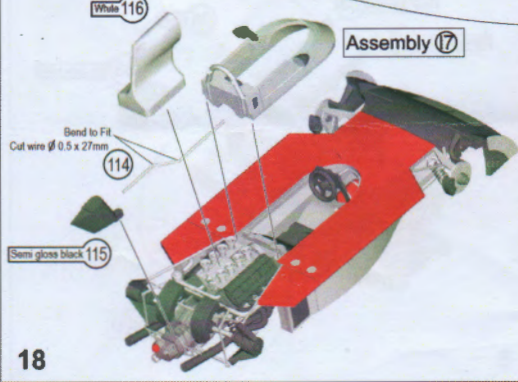
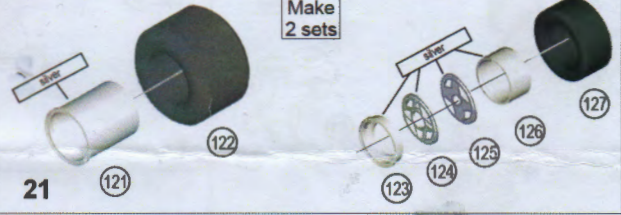
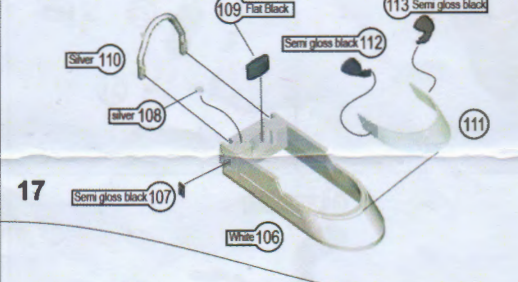
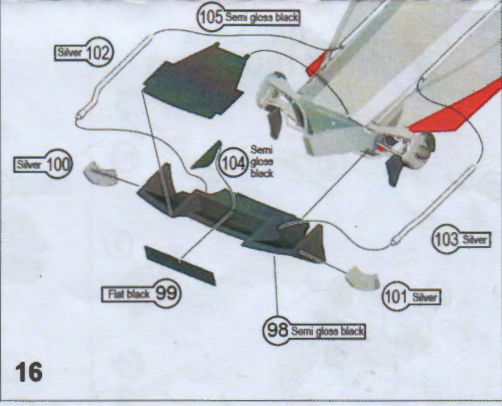
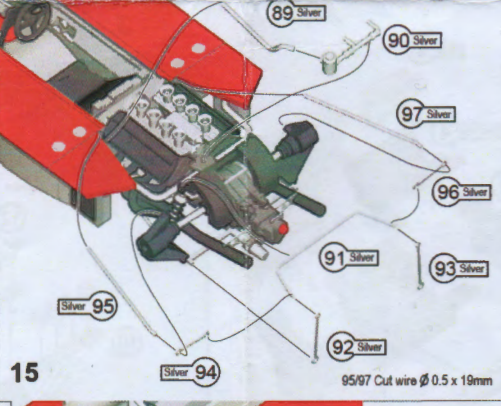
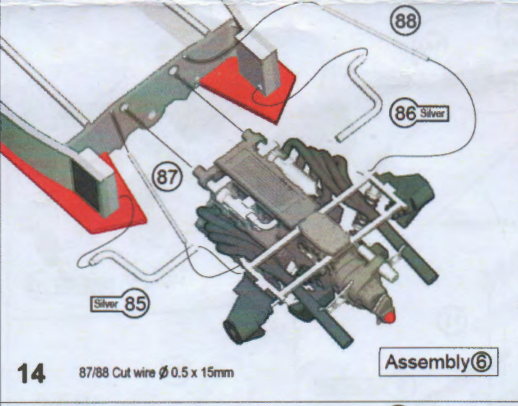
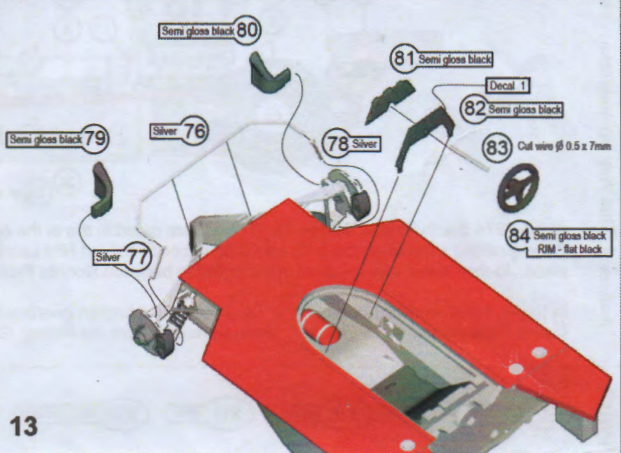
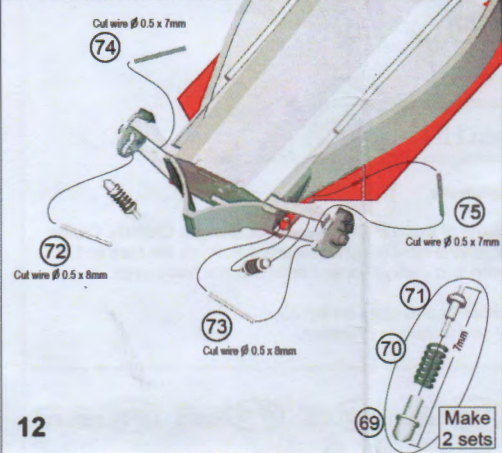
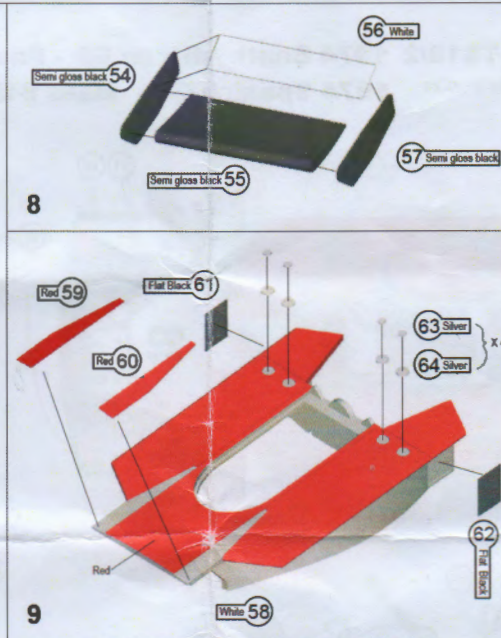
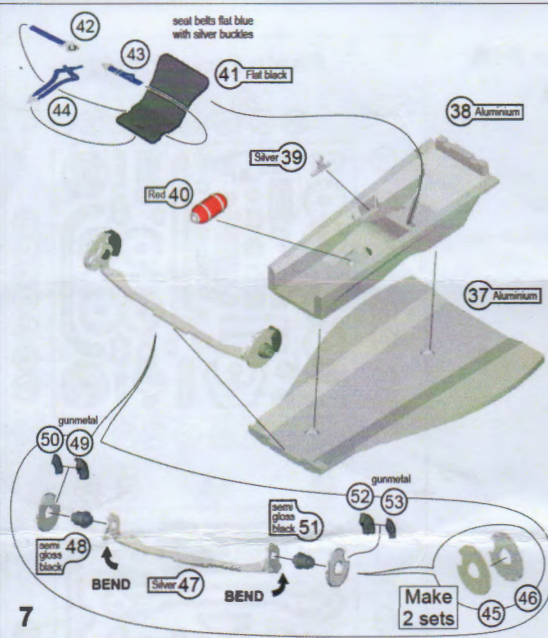


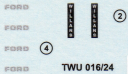
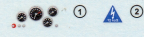
Produced by This Way Up South Africa 1/43rd Scale White Metal Kit Collectors model. Not suitable for small children © This Way Up

Paint

- TS8 Italian red
- X7 red
- X10 gun metal
- X11 silver
- X18 semi gloss black
- XF1 flat black
- TS26 white
- XF16 aluminium
- XF56 metallic grey

### DRILLING INSTRUCTIONS

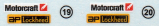




"MATCHBOX" "MATCHBOX" (25)



Bang & Olufsen (40)



18 18 (26)



BEVOX BEOLAB BEOMASTER BEOLT BEOCORD (35)

Bang & Olufsen (41)

Bang & Olufsen (7)  
Bang & Olufsen (7)  
FINA FINA (8)

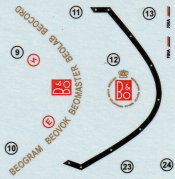
18 18 (21, 22)

19 19 (27)

FINA (36)

19 (37)

18 18 (28)



Bang & Olufsen Hi-Fi  
Hi-Fi Bang & Olufsen