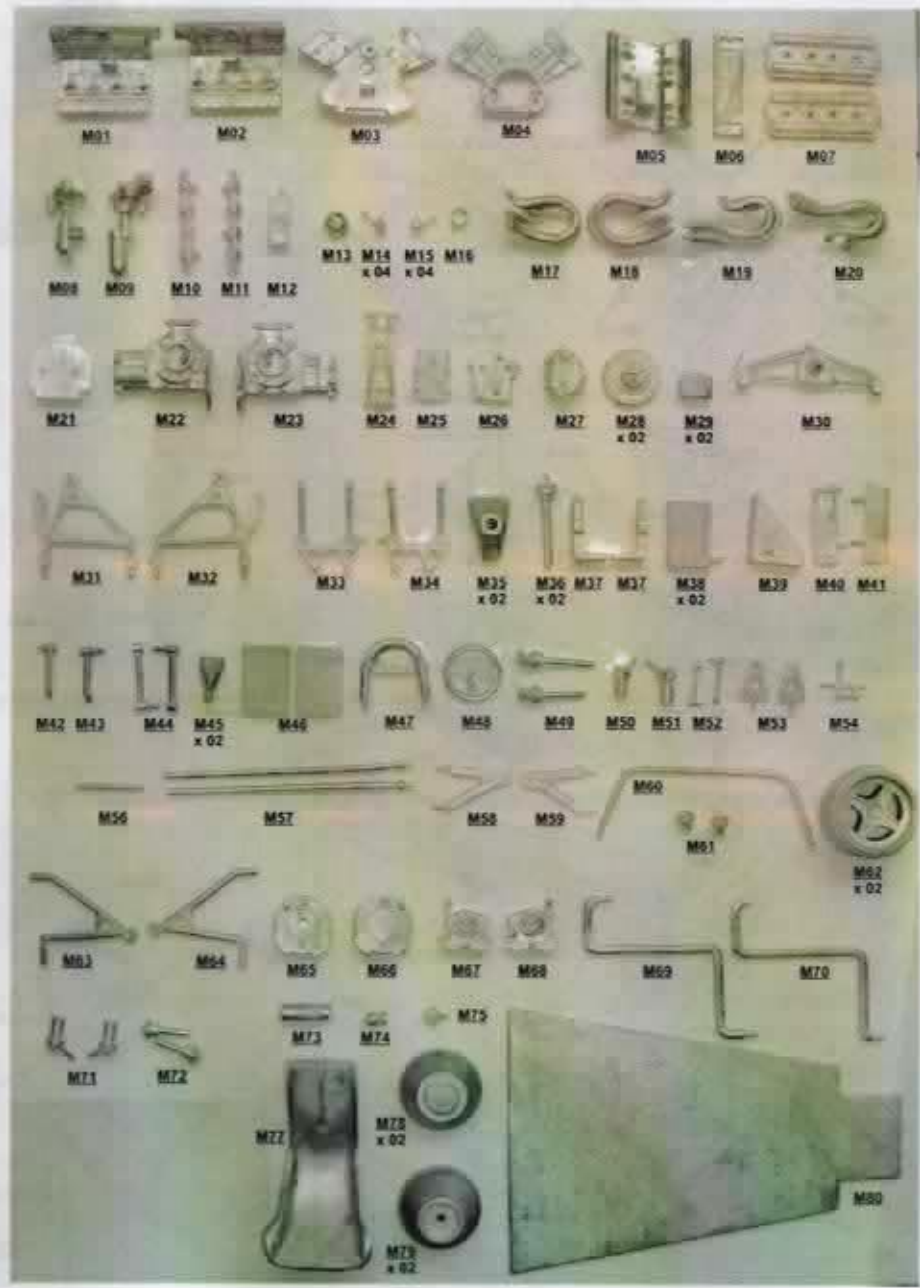
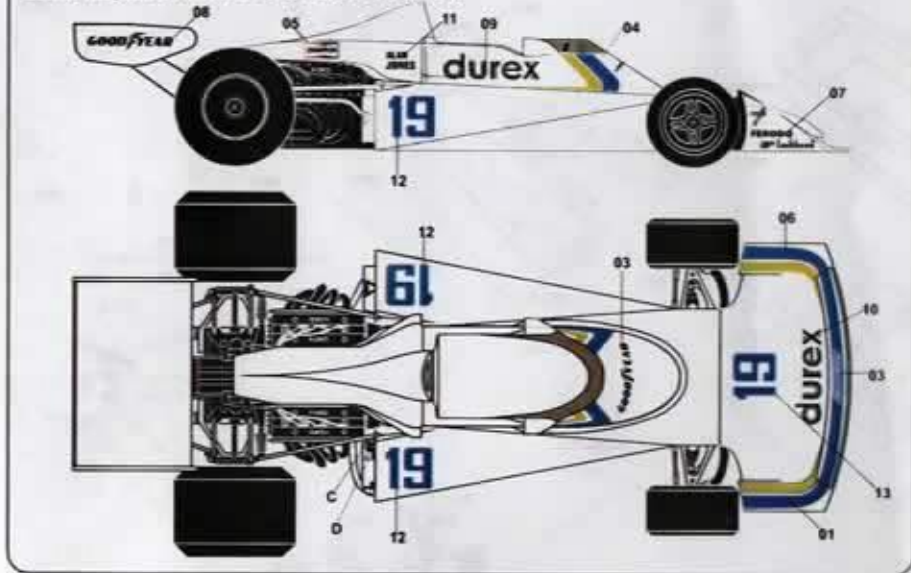




Metal Parts 1976 British GP - GP20076

Decal placement 1976 British GP



WIRE brass **Resin parts** x 5 **TYRE** rubber x 4 **TRUMPETS** aluminium x 8

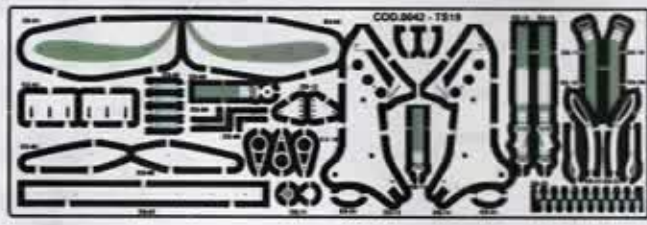
VACUUM FORM windscreen **SCREW** steel x8 **Tube Exhaust** steel x 2

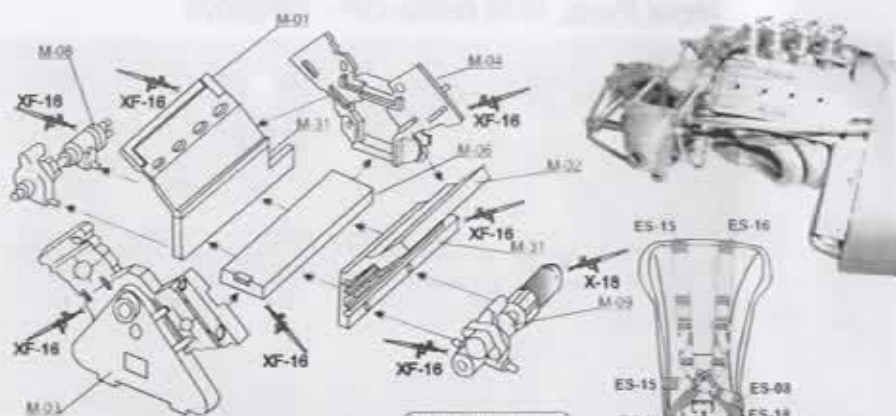


SPARK PLUG CABLE 350mm

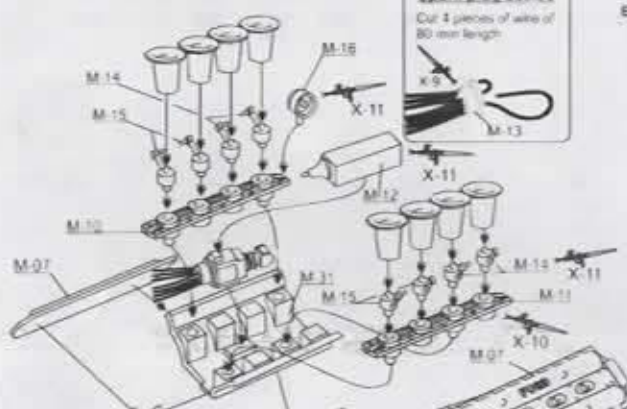


SPRINGS steel x 4





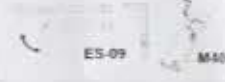
- | | |
|-----|-----|
| M21 | M66 |
| M30 | M29 |
| M35 | M67 |
| M36 | M70 |
| M42 | M38 |
| M47 | M39 |
| M48 | M71 |
| M49 | M72 |
| M51 | M40 |
| M55 | M41 |



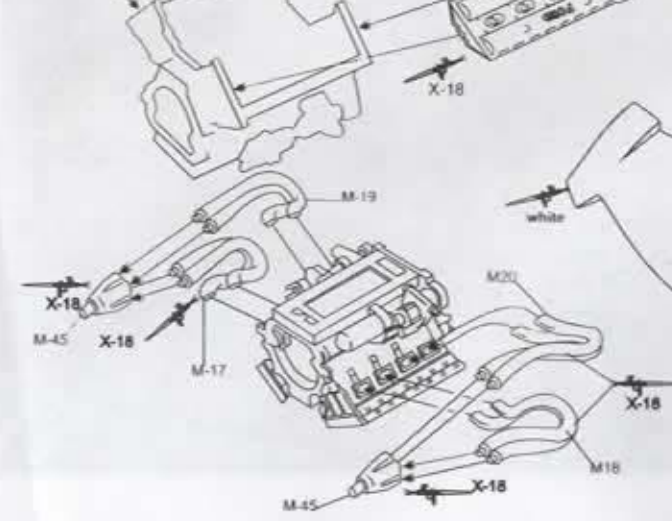
Spark plug cables
Cut 4 pieces of wire of 80 mm length



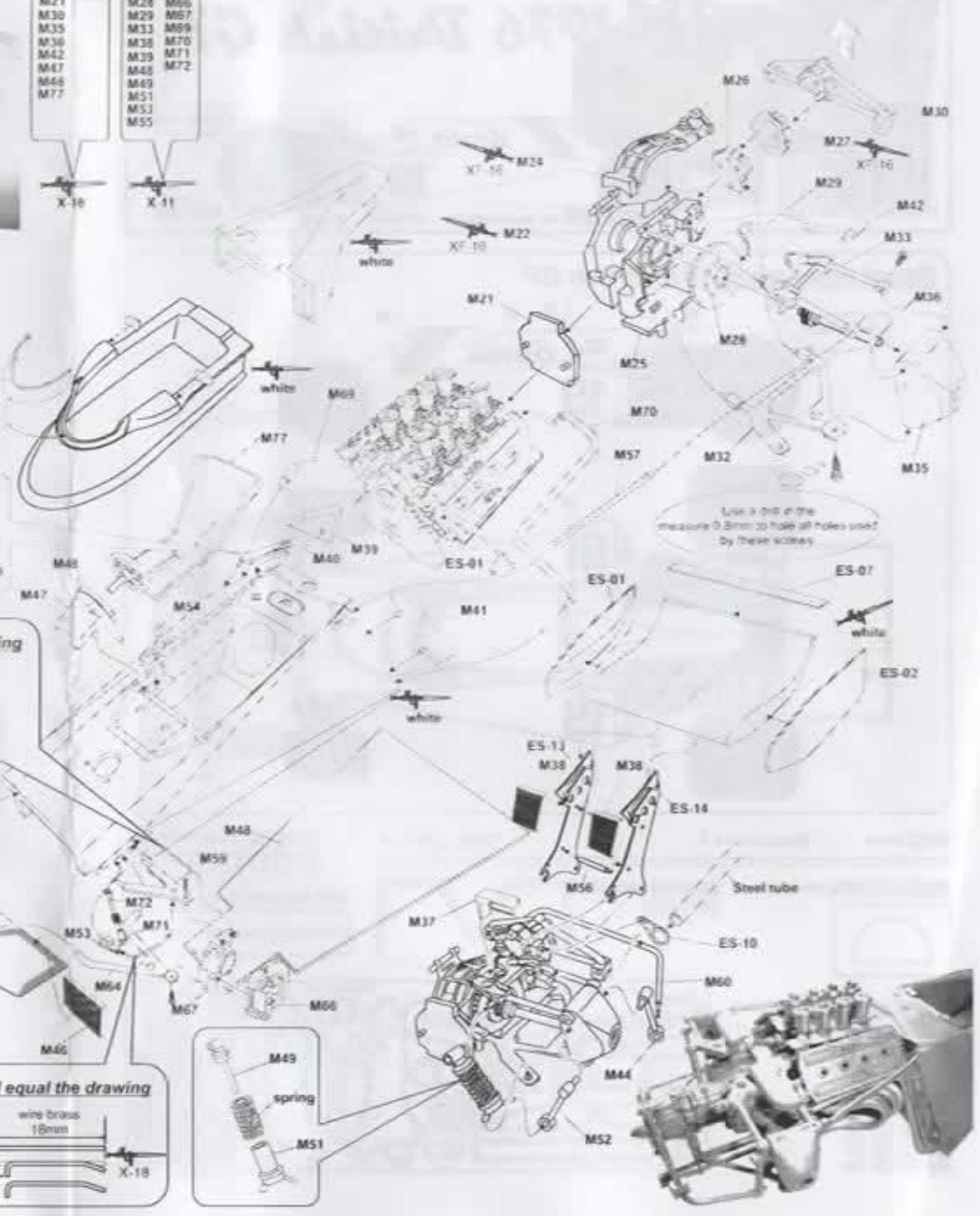
Bend equal the drawing



Bend equal the drawing



Bend equal the drawing



Use a drill of the measure 0.8mm to hole all holes used by these screws

Steel tube