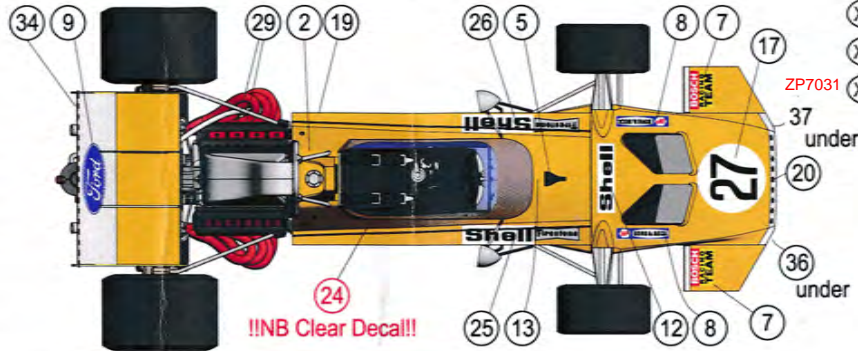
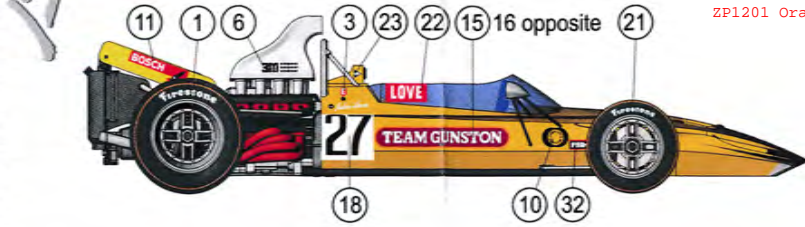


# TWU 027 Surtees TS9 1972 South African GP - John Love

For photo & decal references visit [www.thiswayup.co.za](http://www.thiswayup.co.za)



## Paint

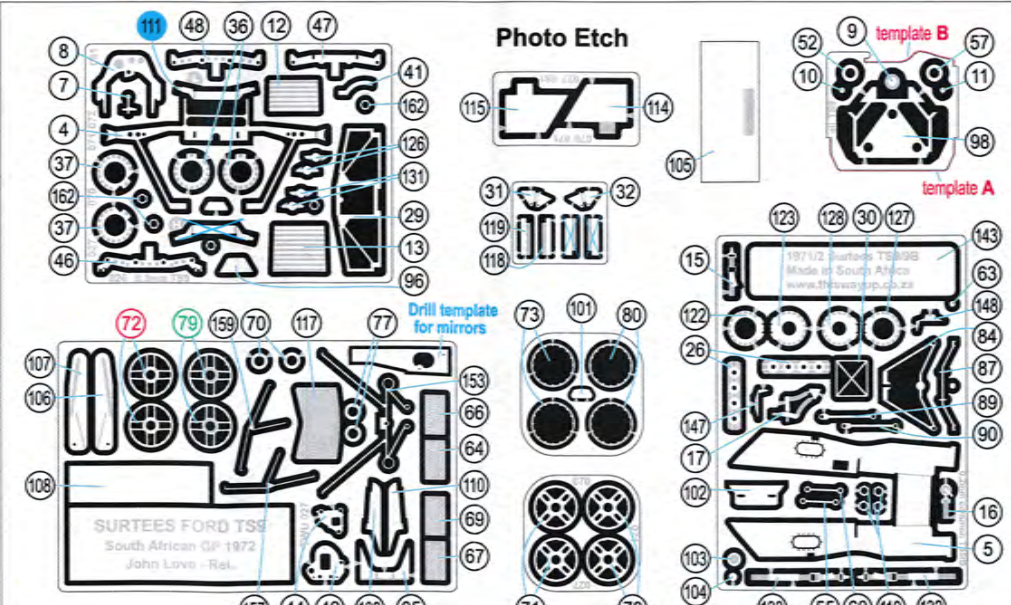
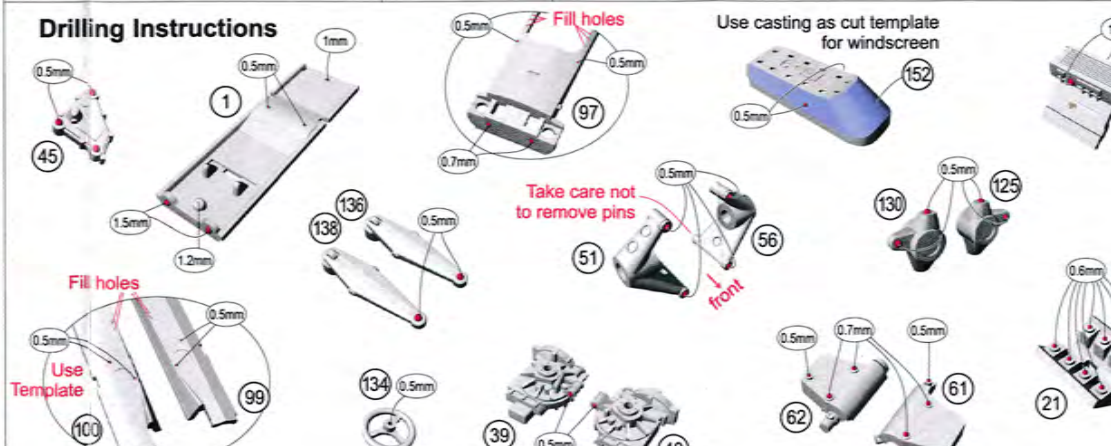
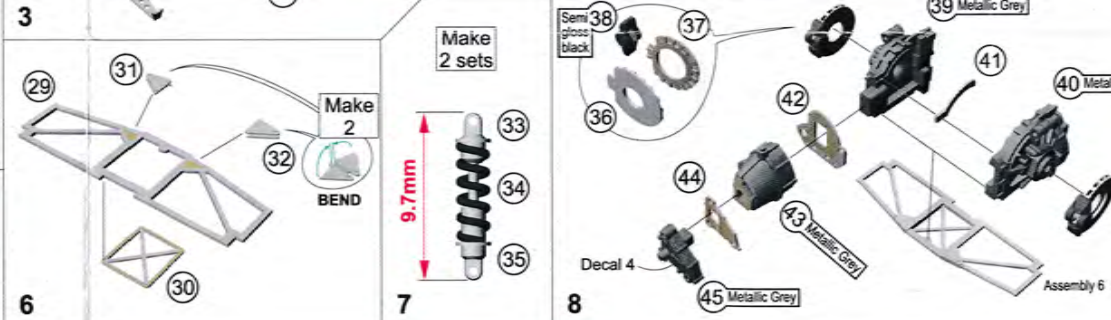
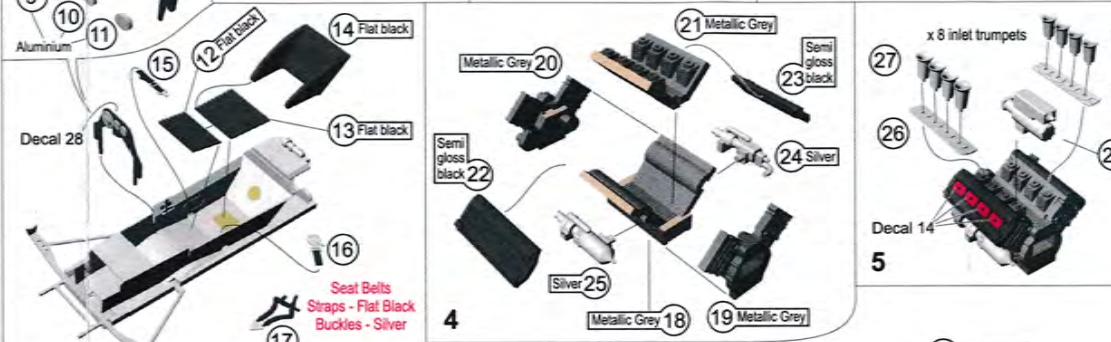
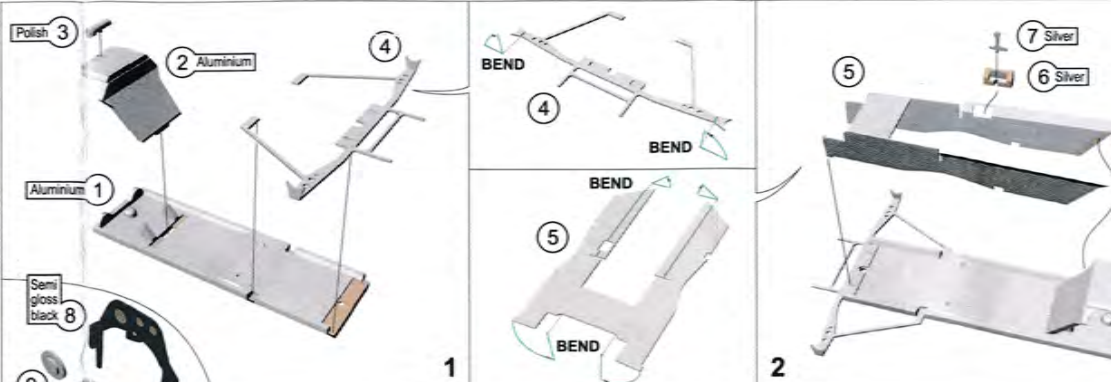
Body Colour Fiat 021E

- TS26 white
- XF1 flat black
- XF7 flat red
- XF16 aluminium
- XF56 metallic grey
- X8 yellow
- X11 silver
- X18 semigloss black
- X31 titanium gold

ZP1201 Orange Beta

ZP7031

John Love, 6 times South African Drivers Champion bought a Surtees TS9 as a replacement for his March 701. During the 25th Anniversary Trophy race meeting at Kyalami, he crashed heavily and almost destroyed the car. It was re-built in time for the 1972 South African GP and Love qualified 26th on the grid. During the race he had another big accident. This was the last GP outing for both Love and the car. During his career he took part in 9 Grands Prix, all of them in South Africa. Love then bought a Brabham BT33 as a replacement for the Surtees and went on to finish 2nd in the 1972 South African Drivers Championship.





**9**

2.50  
1.25  
Glue, then paint aluminium  
Keep slots clear for wing support  
cut 2 wires 0.5 x 2.5mm  
BEND  
46  
47  
48  
49  
50

**10**

temporary Ø 0.5 wire no glue!  
Make 2  
Polished 54  
temporary no glue!  
51 titanium gold  
52 titanium gold  
53 semi gloss black  
54 Polished  
55  
56 titanium gold  
57 titanium gold  
58 semi gloss black  
59 Polished  
60

**11**

Semi gloss black  
Semi gloss black  
61  
62  
63  
64  
65  
66  
67  
68  
69

**12**

spokes semi gloss black  
Make 2 Sets  
Rear  
70  
71  
72  
73  
74  
75  
76

**13**

spokes semi gloss black  
Make 2 Sets  
Front  
77  
78  
79  
80  
81  
82  
83

**14**

Bend  
84  
85  
86

**15**

Ø 0.5mm wire x 29.4mm  
Bend in template A  
87  
88  
89  
90

**16**

Flat Red  
Polished 91  
Ø 0.5 x 14.8mm cut wire  
Flat Red  
Polished 93  
92  
93  
94

**17**

BEND  
half etch on underside  
Use Etch template to drill hole for mirrors on body sides  
Glue FIRST then, paint orange  
Aluminium  
Use Etch template to drill hole for mirrors stalks on body sides  
95  
96  
97  
98  
99  
100

**18**

Flat white 101  
Decal 30  
102  
103  
104

**19**

Polished 109  
White 108  
Yellow 106  
107 Yellow  
105 Orange  
111 BEND

**20**

112 Orange  
117  
Semi gloss black 116  
118  
113 Orange  
114 Orange  
115 Orange  
119

**21**

White 120  
Decal 33  
121 White

**22**

Semi gloss black 124  
gun metal 126  
Seat Belts Straps flat black Buckles silver Decals 27  
Aluminium 130  
Decal 31 Flat black 134  
135 cut wire Ø 0.5 x 4.5mm  
139  
138  
140 Aluminium  
Ø 0.5 x 7.5mm cut wire  
141  
142

**23**

Polished 143  
Semi gloss black 145  
144 black  
146  
147  
148

**24**

149 Polished  
151 Ø 0.5mm x 6.2mm Cut wires x 2  
150  
152

**25**

Bend in template B  
155  
Ø 0.7 x 17mm  
154 x 3  
156

**26**

Bend wires into position  
157  
158  
159  
160  
161  
162  
BEND

**27**

inset into slots from step 9  
163  
164  
165  
166