



TAMEO KITS



TMK 405

**FERRARI F2012
G.P. MALESIA 2012
Winner F. Alonso**

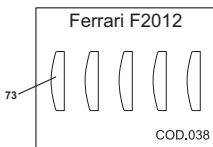
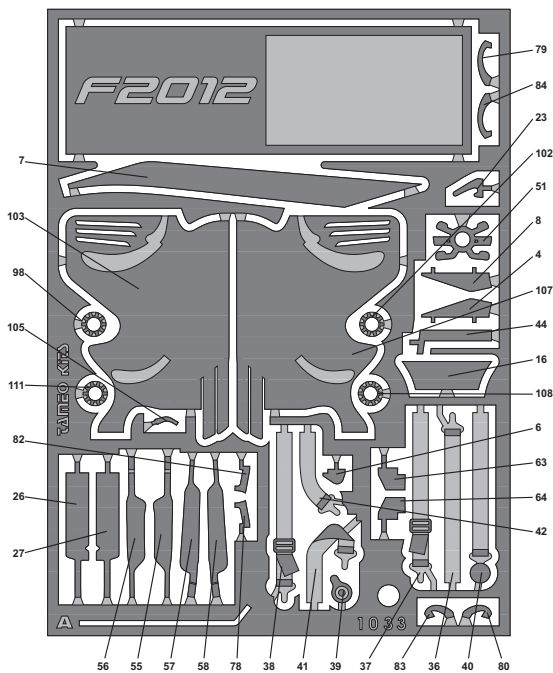
www.tameokits.com



Colour conversion - Conversione colori - Farbumwandlung Conversion de couleurs - Colores convensionados



Photoetcheds - Fotoincisioni - Fotogeazetz Photogravures - Fotograbado



TAMEO KITS srl

Via Valle, 111 - P.O. Box 61
17022 BORGIO VEREZZI SV ITALY
Tel. 39 019 - 615.250 Fax. 39 019 - 615.310

website www.tameokits.com
e-mail sales@tameokits.com
e-mail technical@tameokits.com

Ferrari
Official Licensed Product

Produced under license of Ferrari SpA.
FERRARI, the PRANCING HORSE device, all associated logos and distinctive designs are property of Ferrari SpA.
The body designs of the Ferrari cars are protected as Ferrari property under design, trademark and trade dress regulations.

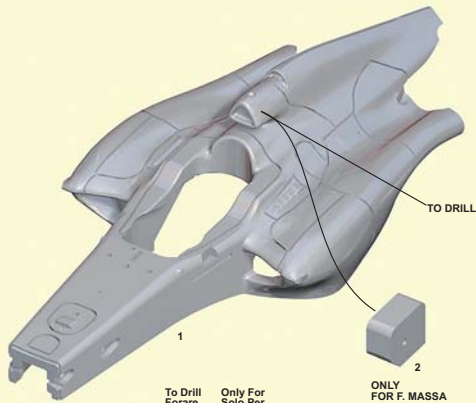
Made in Italy. Modello per collezionisti in scala 1/43. Vietata la vendita ai minori di 14 anni. Nocivo per ingestione. Conservare fuori dalla portata dei bambini. Tameo Kits declina ogni responsabilità per un uso improprio del prodotto.

Made in Italy. Collector 1/43 Scale Models. Not for sale to persons under 14 years of age. Dangerous if swallowed. Keep out of reach of children. Tameo Kits not held responsible for any damage or injury resulting from improper use of the product.

Made in Italy. Modèle pour collectionneurs échelle 1/43. Vente interdite aux enfants de moins de 14 ans. Dangereux si avalé. Conserver hors de la portée des enfants. Tameo Kits decline toute responsabilité dans le cas de dommages dérivants de l'usage non approprié du produit.

Made in Italy. Sammiermodell in Massstab 1/43. Verkauf an Jugendliche unter 14 Jahren verboten. Schädlich bei Verschlucken. Tameo Kits lehnt jede Verantwortung bei unsachgemässer Benutzung des Produktes ab.

Hecho en Italia. Coleccion de modelos a escala 1/43. Prohibida la venta a menores de 14 años. No comestible. Mantener fuera del alcance e de los niños. Tameo Kits no se hace responsable de los daños causados por el uso incorrecto de este producto.

1

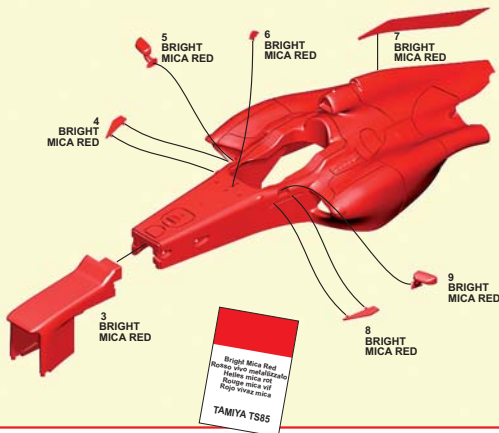
To Drill
Forare
Bohren
Forer
Perforar

Only For
Solo Per
Nur Für
Seulement Pour
Solo Para

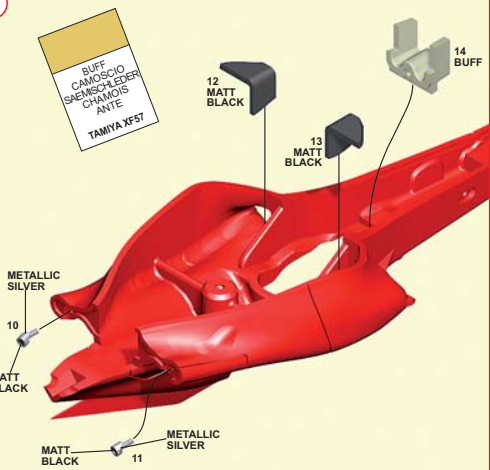
ONLY
FOR F. MASSA

2

Glue and stick before painting
Incollare e stuccare prima della verniciatura
Vor der Lackierung verkleben und verspachteln
Coller et mastiquer avant de vernir
Pegar y eslicar antes de pintar



Bright Mica Red
Rosace ultra-metallizzato
Rosace mica ver
Rosage mica ver
Rosa-wax mica
TAMIYA TS85

**3**

BUFF
CAMOSCIO
SAEMISCHLEDER
CHAMOIS
ANTE
TAMIYA XF57

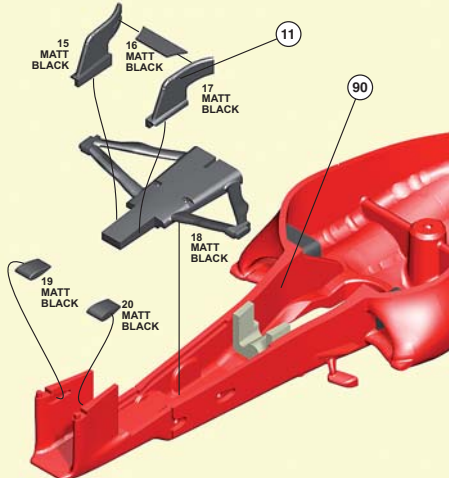
METALLIC
SILVER
10
MATT
BLACK

12
MATT
BLACK

13
MATT
BLACK

14
BUFF

MATT
BLACK
11
METALLIC
SILVER

4

15
MATT
BLACK

16
MATT
BLACK

17
MATT
BLACK

18
MATT
BLACK

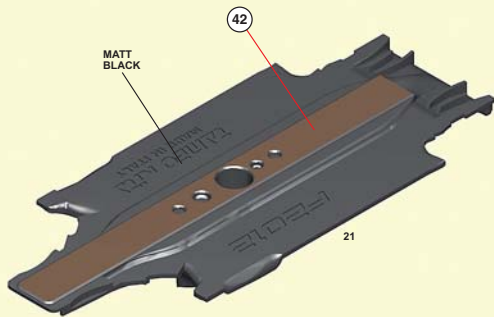
19
MATT
BLACK

20
MATT
BLACK

11

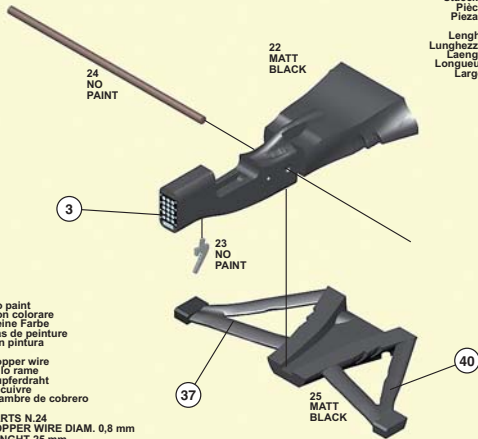
90

5



21

6



3

22
MATT
BLACK

23

NO
PAINT

37

25
MATT
BLACK

Parts
Pezzi
Stuecke
Piece
Piezas

Length
Lunghezza
Laenge
Longueur

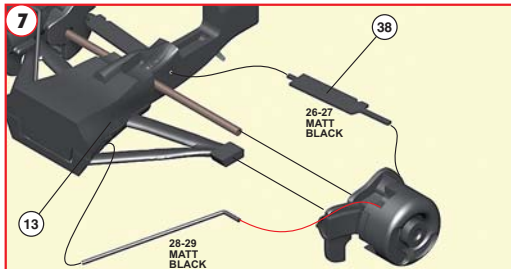
No paint
Nori colorare
Keine Farbe
Pas de peinture
Sin pintura

Copper wire
Filo rame
Kupferdraht
fil culvire
Alambre de cobrero

PARTS N.24
COPPER WIRE DIAM. 0,8 mm
LENGHT 25 mm



7



38

26-27
MATT
BLACK

13

28-29
MATT
BLACK

USE PROFILE "A" ON PHOTOETCHED #1033 TO BEND PARTS 28-29
usare il profilo "A" sulla fotoincisione #1033 per piegare parti 28-29
verwenden sie profile "A" unser fotografier #1033 fuer teiln 28-29 falten
employez le passepoil "A" sur la photogravures #1033 pour plier pieces 28-29
utilice el contorno "A" sobre el fotografado #1033 por doblar piezas 28-29

32-33
MATT
BLACK

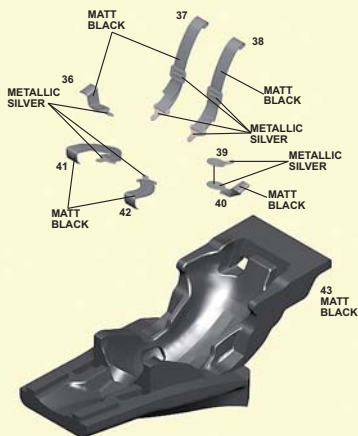
PARTS N.28-29
STEEL WIRE DIAM. 0,4 mm
LENGHT 16 mm

30-31
MATT
BLACK

34-35
MATT
BLACK

Steel wire
Filo d'acciaio
Stahldraht
Fil acier
Alambre d'acero

8



MATT
BLACK

37

38

MATT
BLACK

METALLIC
SILVER

36

METALLIC
SILVER

41

MATT
BLACK

42

METALLIC
SILVER

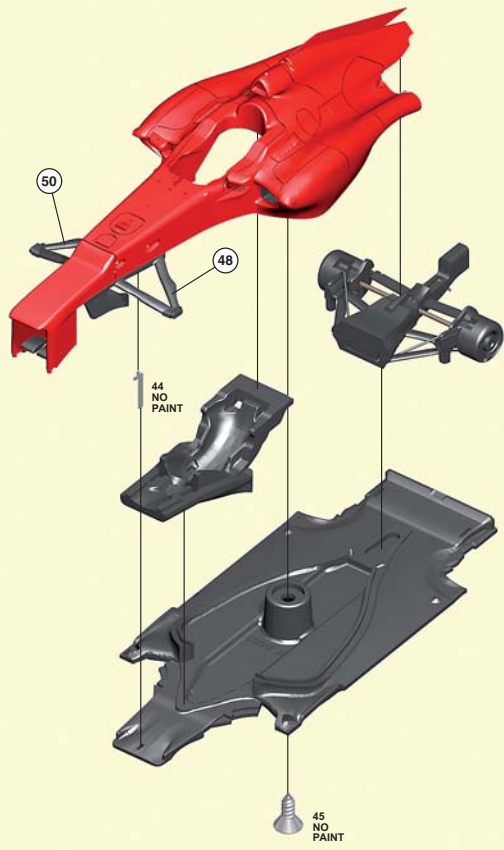
39

MATT
BLACK

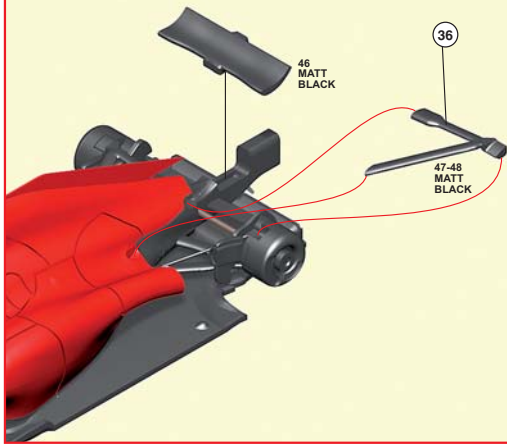
43

MATT
BLACK

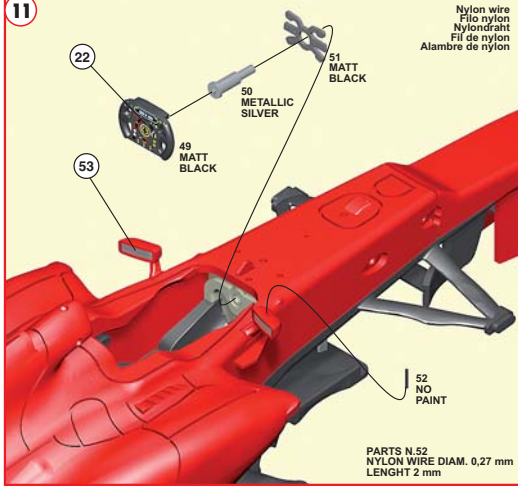
9

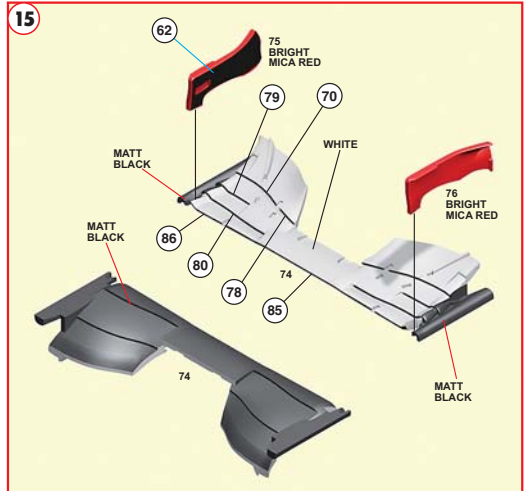
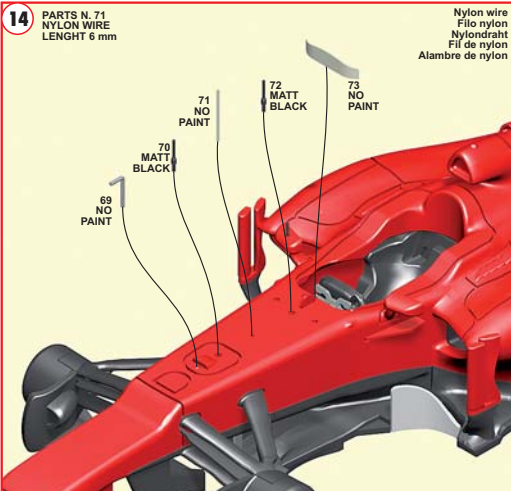
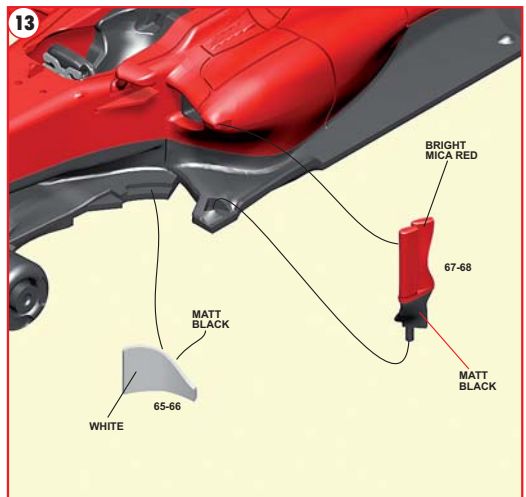
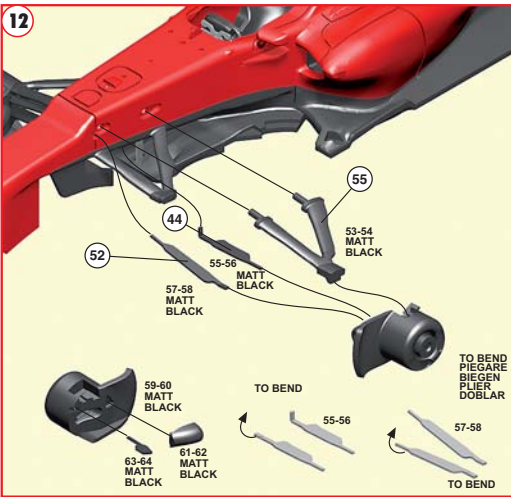


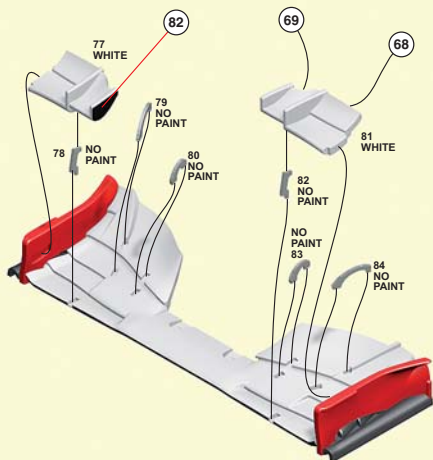
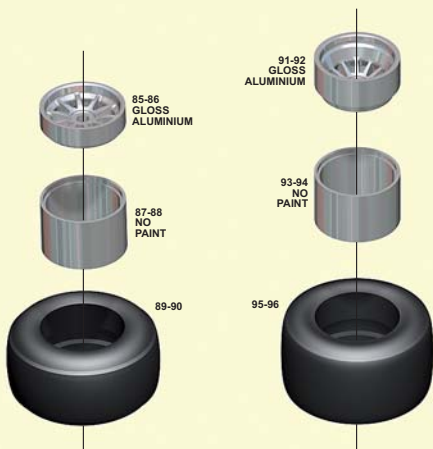
10



11





16**17****18**