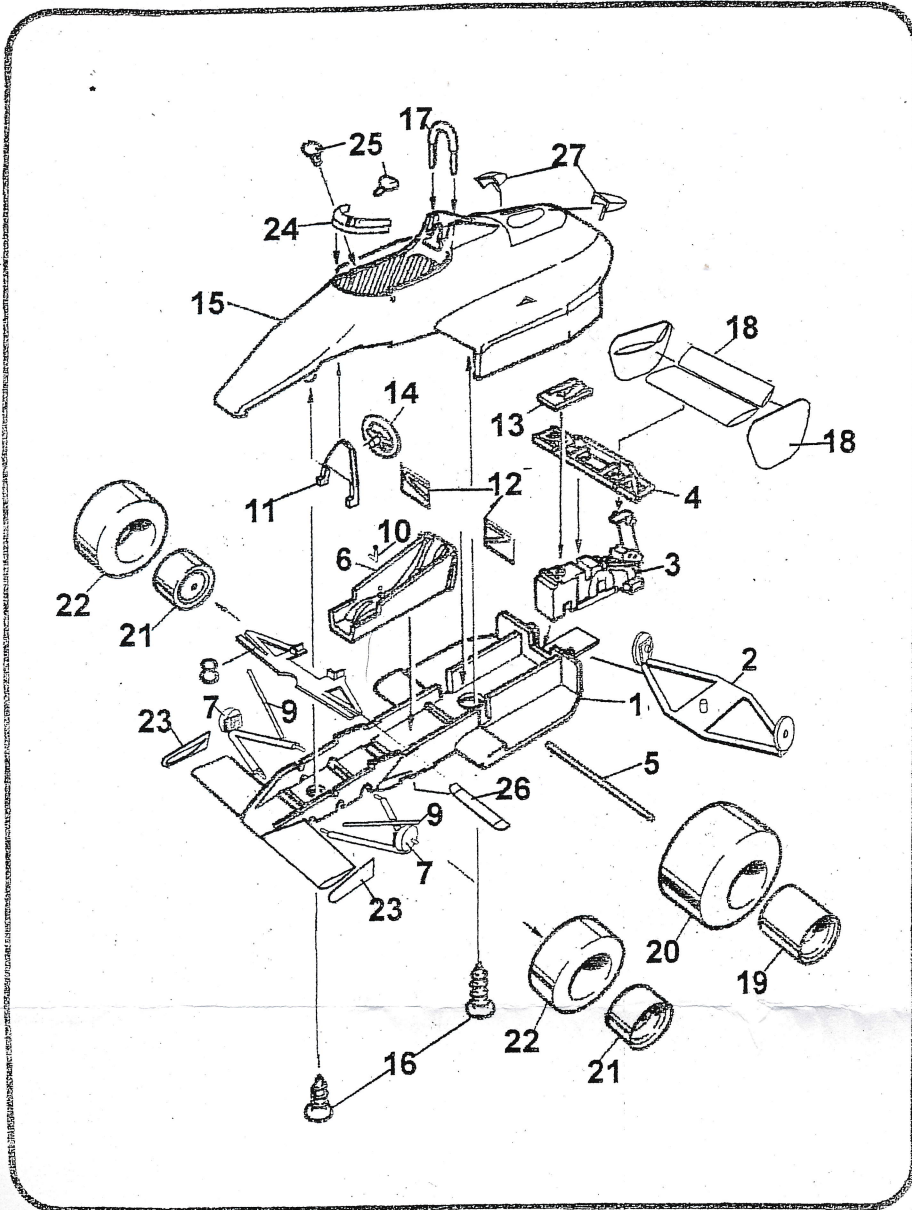


Arrows A6

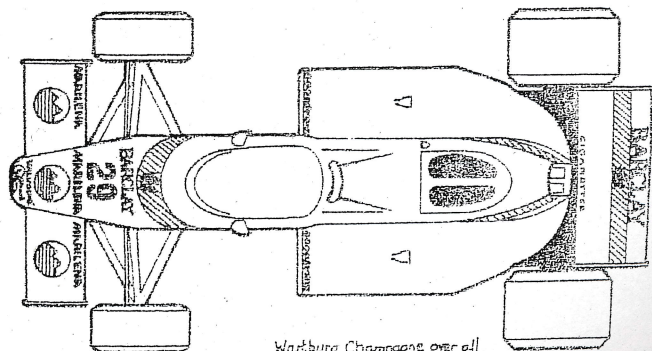
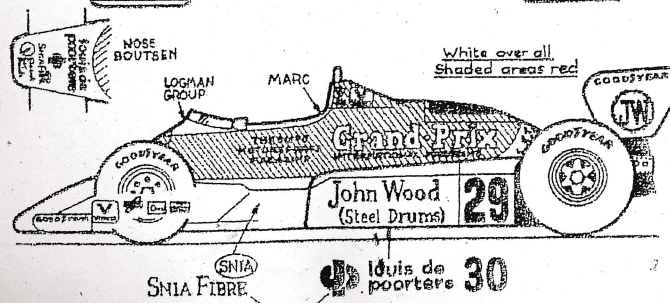
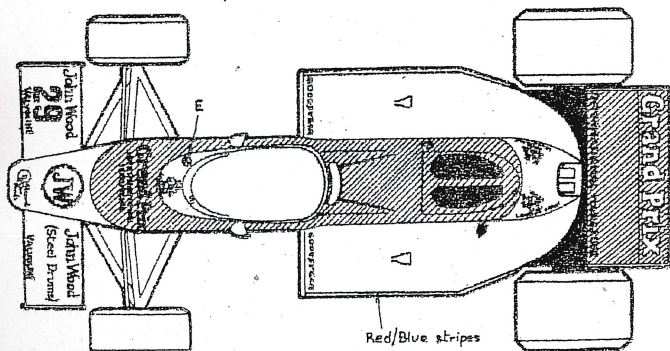


- 1) CHASSIS white
- 2) Rear lower WISHBONES & HUBS matt black
- 3) GEARBOX WING SUPPORT gunmetal
- 4) Rear upper SUSPENSION gunmetal
- 5) AXLE
- 6) SEAT matt black silver sides
matt blue belts
- 7) Front WISHBONES & HUBS 1 pair matt black
matt black brake ducts
- 8) Rear upper WISHBONES matt black
- 9) PULL RODS x 2 matt black
- 10) GEAR LEVER silver black knob
- 11) DASHBOARD matt black red switch
and orange light
- 12) Radiator GUARDS 1 pair etch matt black
- 13) EXHAUST PIPES gunmetal
- 14) STEERING WHEEL matt black
- 15) BODYWORK white or champagne(Barclay)
- 16) SCREWS x 2
- 17) ROLL HOOP burnish
- 18) Rear WING & etch END PLATES
white or champagne(Barclay)
- 19) Rear WHEELS x 2 matt black
- 20) Rear TYRES x 2
- 21) Front WHEELS x 2 matt black
- 22) Front TYRES x 2
- 23) Front wing END PLATES etch
white or champagne (Barclay)
- 24) SCREEN vac form
- 25) MIRRORS 1 pair
white or champagne (Barclay)
- 26) Mirror "SHADOWS" body colour
- 27) Engine AIR DUCTS x 2 body colour

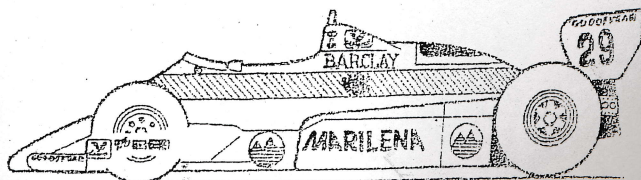
Please note choice of engine cover.

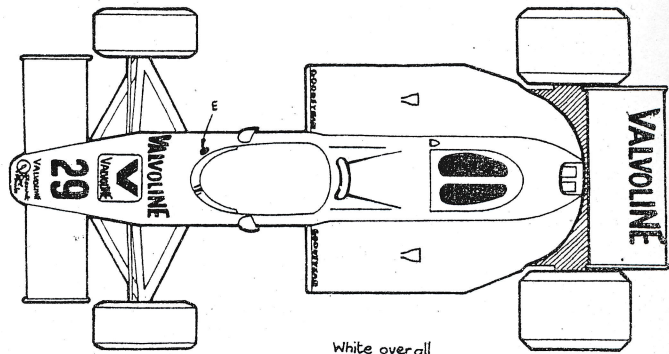
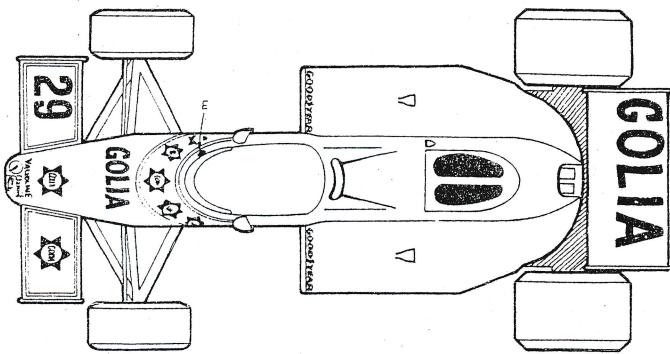
Construction should follow the numerical sequence of the drawing.

HEALTH WARNING: Please ensure that when working with white metal, dust particales are not inhaled and hands are thoroughly washed prior to eating.

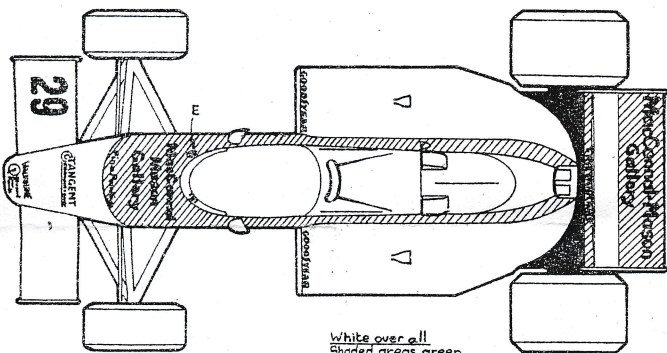
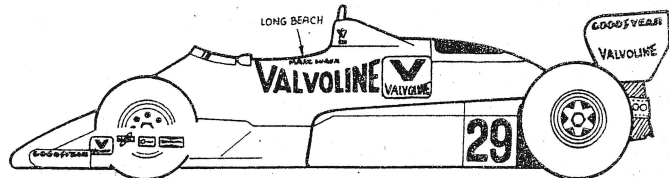
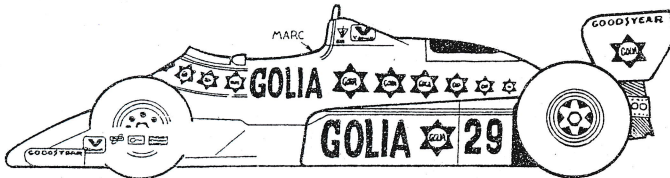


Warrburg Champagne over all
White monacque sides
Shaded area brown.

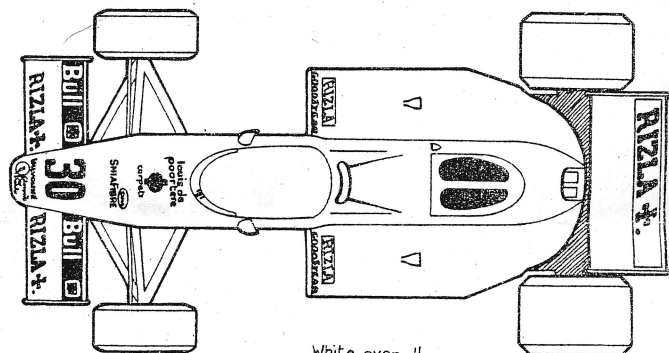




White over all



White over all
Shaded areas green



White over all

