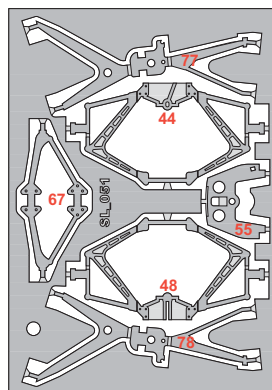
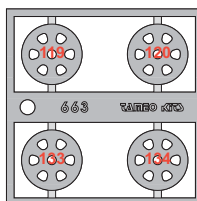
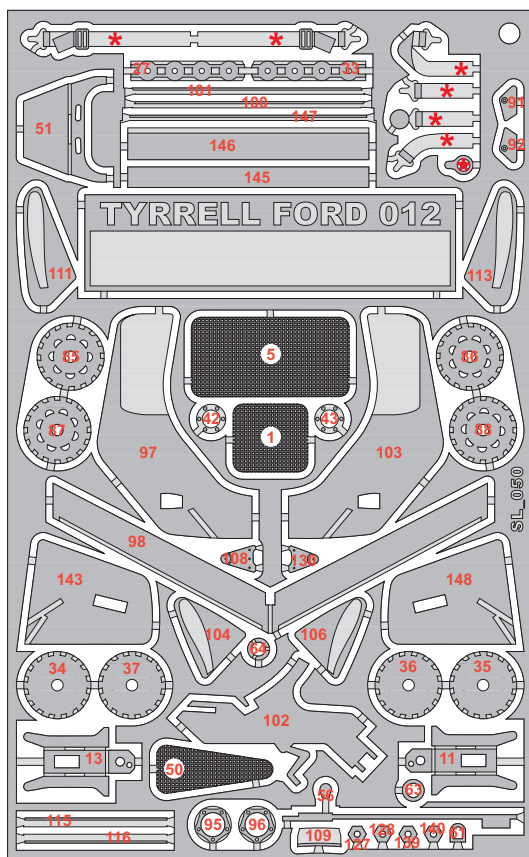
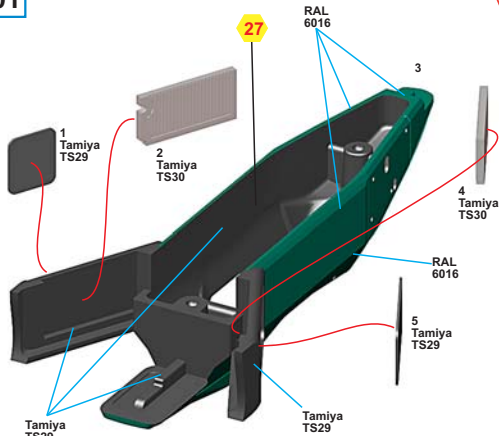
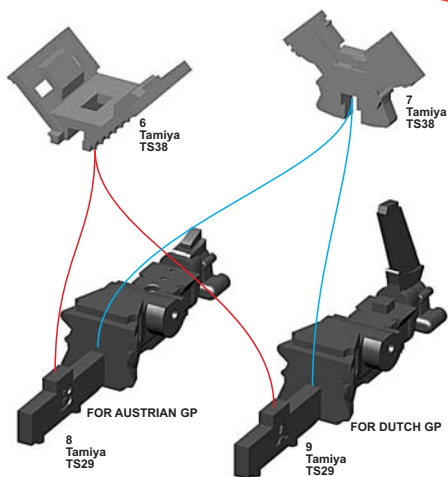
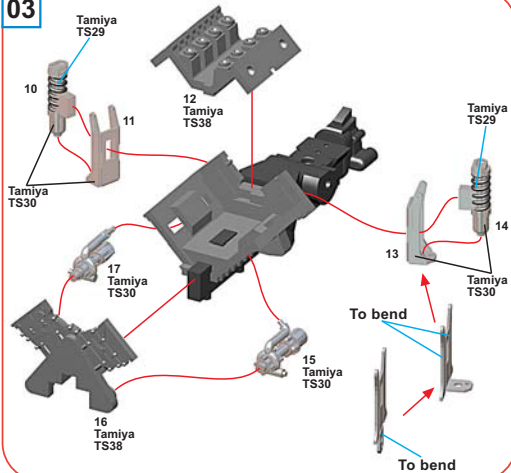
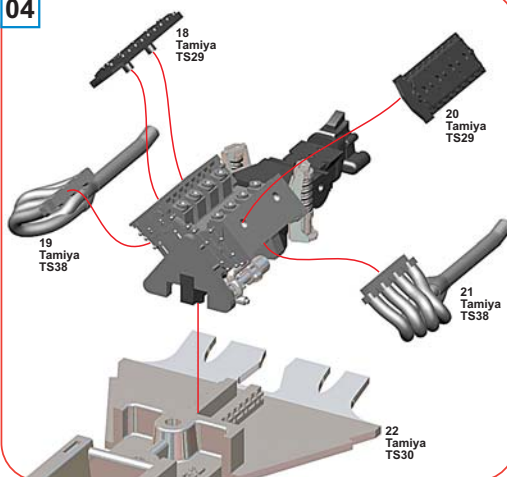
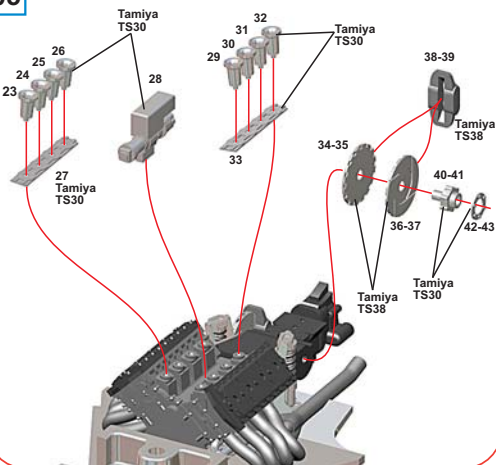
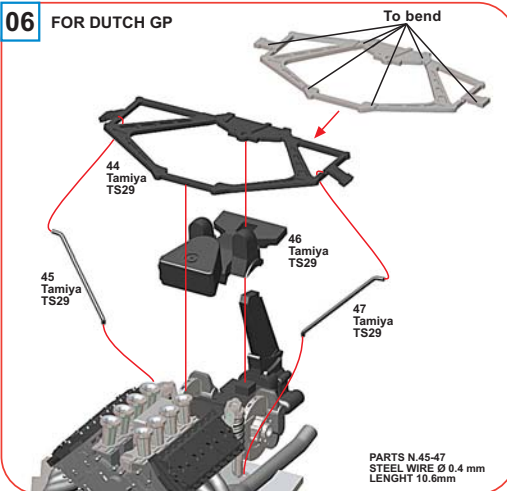


# SilverLine

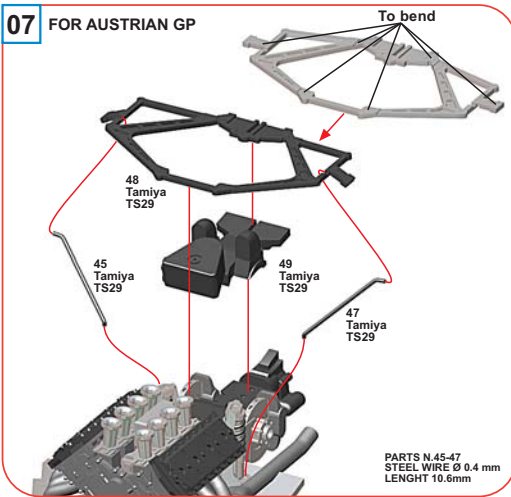
## SLK044 TYRRELL FORD 012 AUSTRIAN/DUTCH G.P. 1983 M. Alboreto - D. Sullivan

"APPROVED AND LICENSED BY TYRRELL PROMOTIONS LTD"

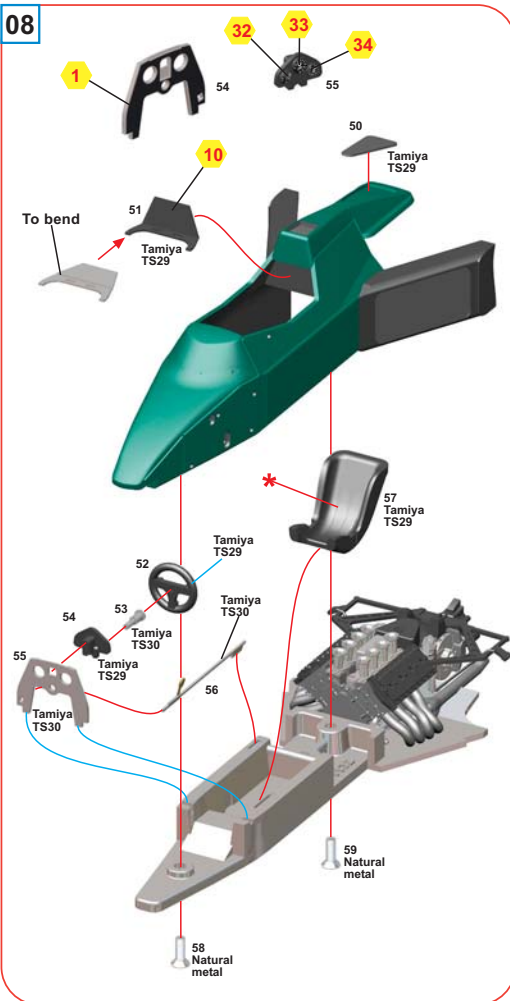


**01****02****03****04****05****06**

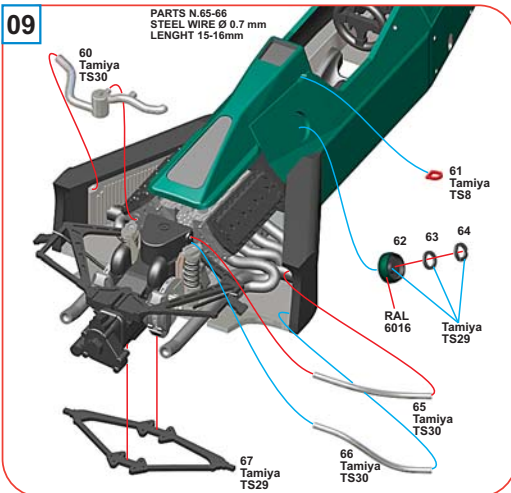
### 07 FOR AUSTRIAN GP



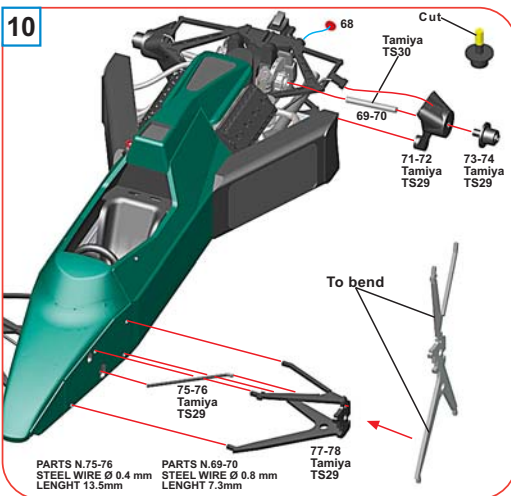
### 08



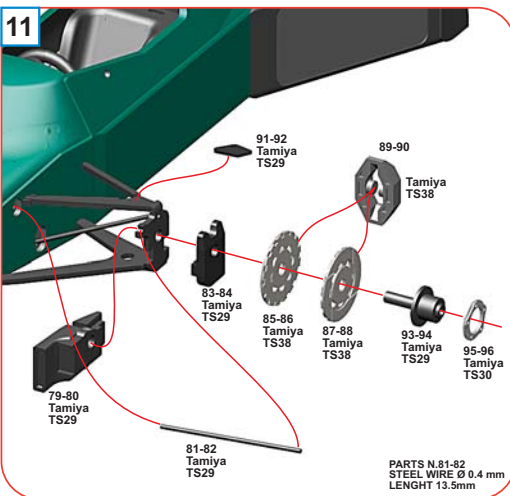
### 09



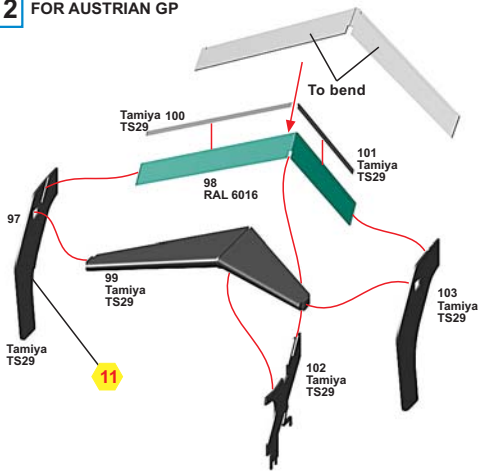
### 10



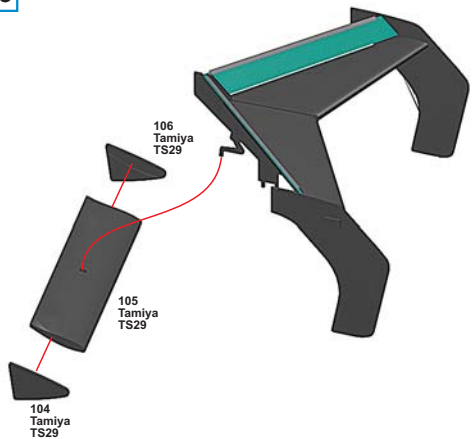
### 11



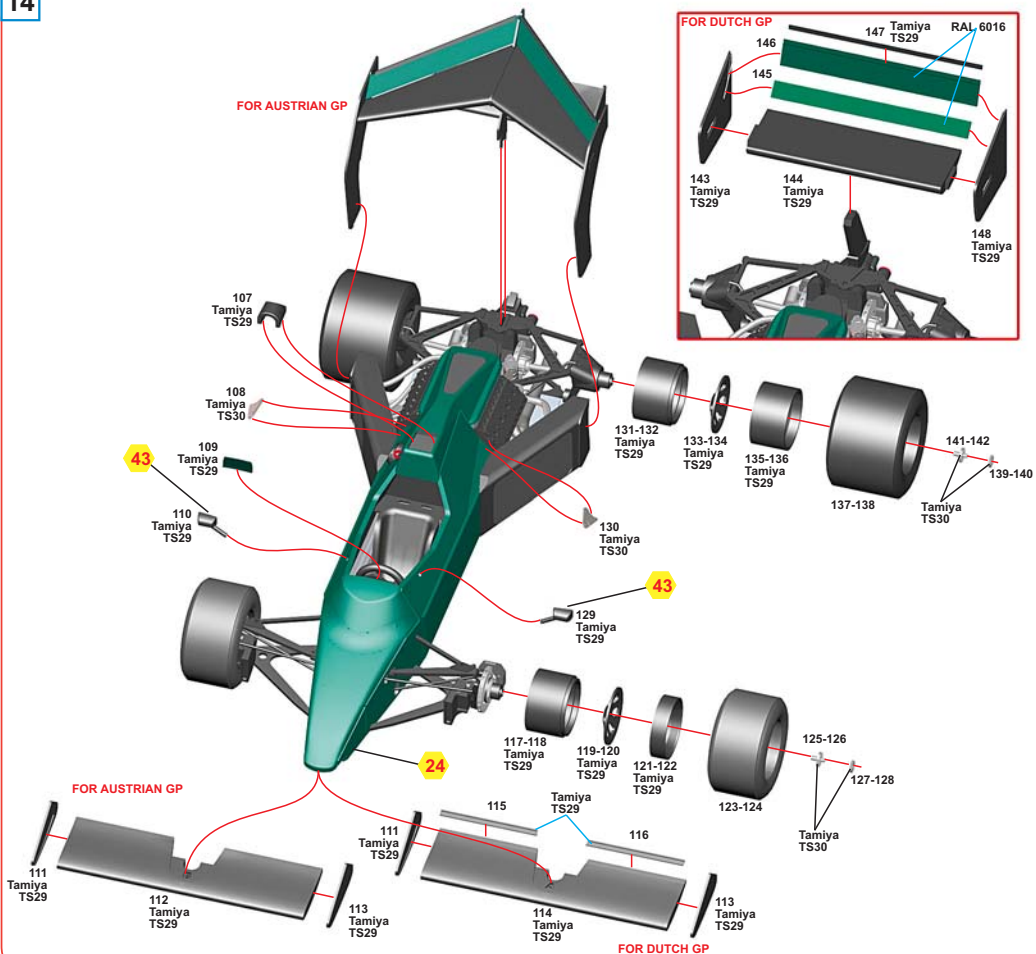
**12 FOR AUSTRIAN GP**



**13 FOR AUSTRIAN GP**



**14**

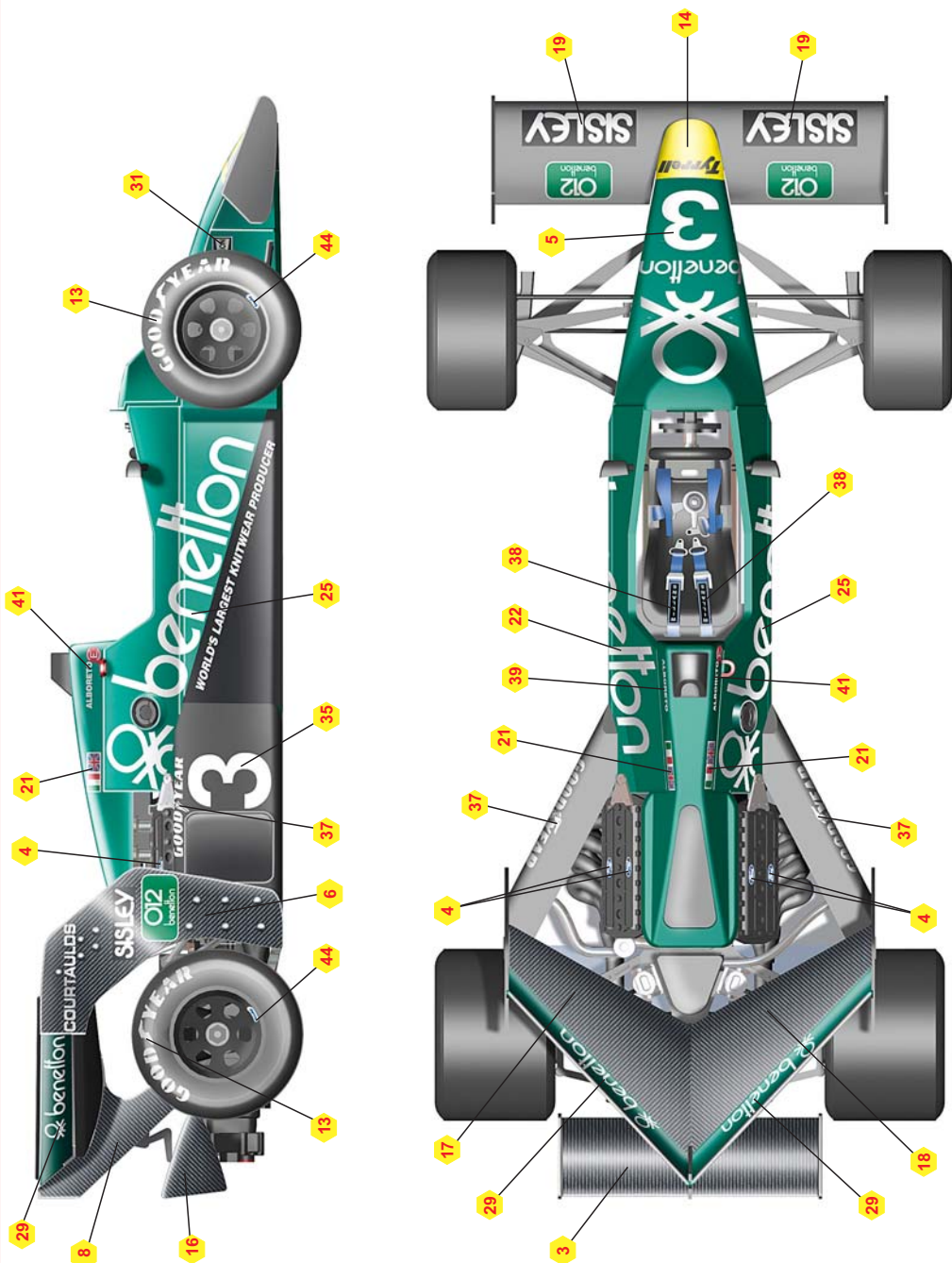




# SLK044 TYRRELL FORD 012 AUSTRIAN G.P. 1983

N°3 M. Alboreto Ret.

N°4 D. Sullivan Ret.



AUSTRIAN GP



AUSTRIAN GP



AUSTRIAN GP

# SLK044 TYRRELL FORD 012 DUTCH G.P. 1983

N°3 M. Alboreto 6<sup>th</sup>

N°4 D. Sullivan Ret.

