

• BLUE - BLU - BLEU - BLAU
 GOLD - ORO - DORE' - GOLD
 GUN METAL - METALLICO - METALLIQUE - METALLIC
 MATT BLACK - NERO OPAO - NOIRE OPAQUE - SCHWARZMATT
 MATT RED - ROSSO OPAO - ROUGE OPAQUE - ROTMATT
 SILVER - ARGENTO - ARGENTE - SILBER
 WHITE - BIANCO - BLANC - WEISS

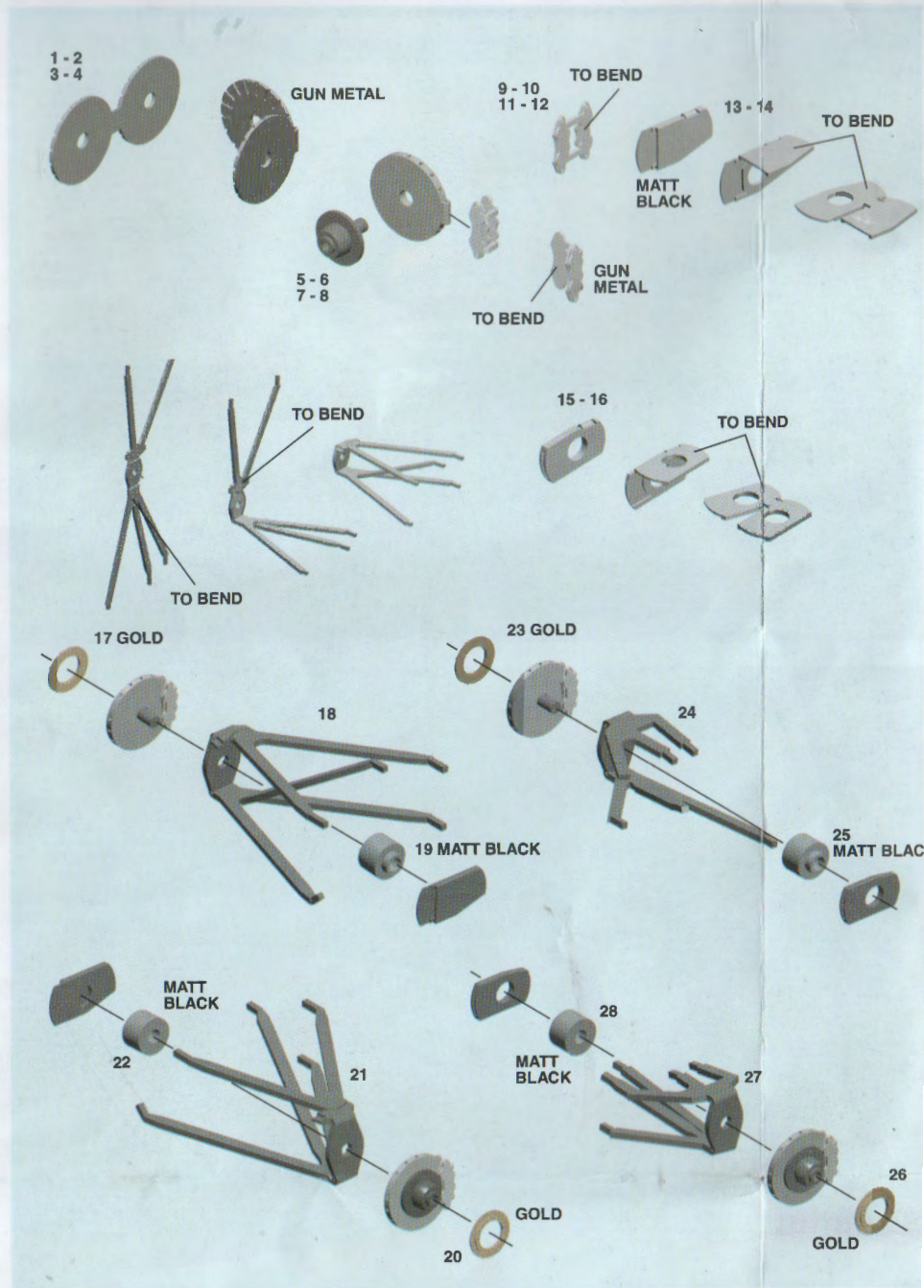
• TO BEND - PIEGARE - PLIER - BIEGEN

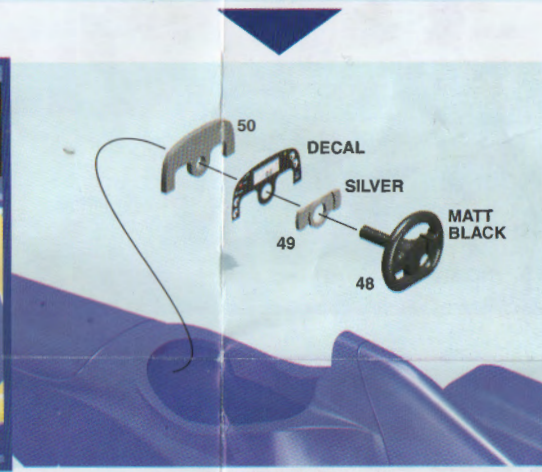
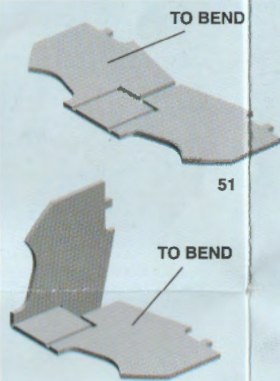
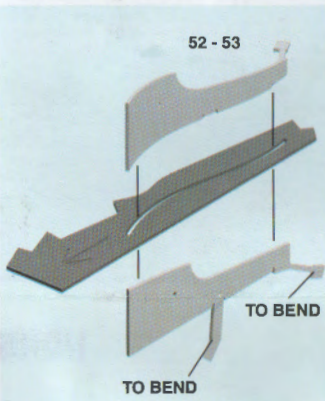
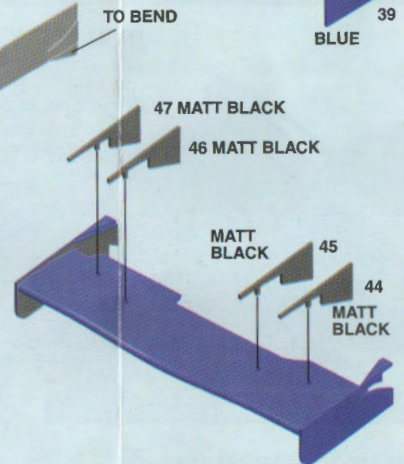
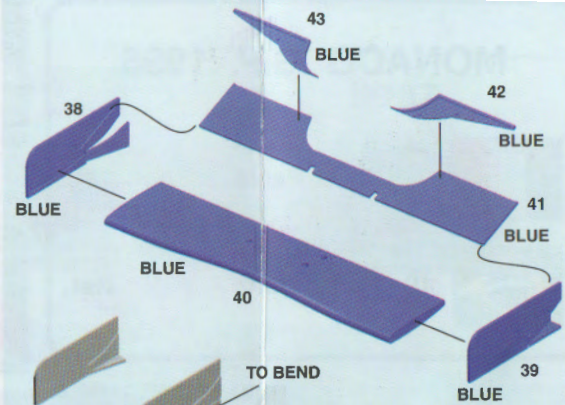
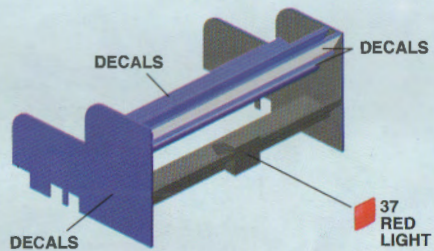
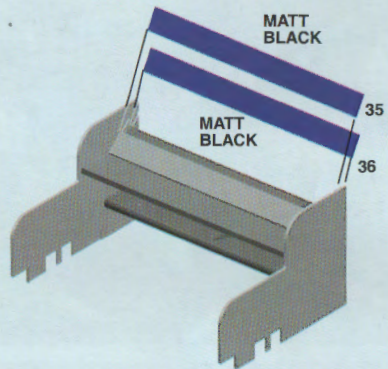
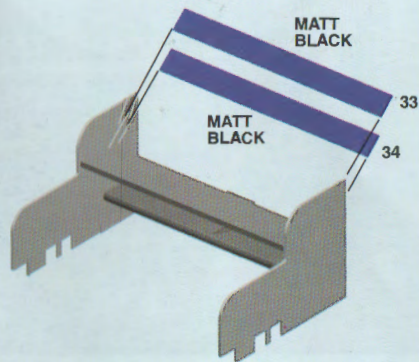
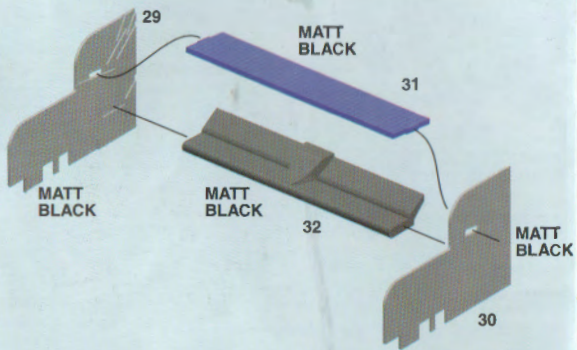
• USE THE COLOUR CHIP TO GET THE CORRECT SHADE
 USARE IL CAMPIONE PER IL RIFERIMENTO DELLA VERNICE
 EMPLOYEZ L'ÉCHATILLON COULEUR COMME RÉFÉRENCE DE LA PEINTURE
 BENUTZUNG DES FARBMEISTERS FÜR DEI LACKFARBE

• GLUE AND STICK BEFORE PAINTING
 INCOLLARE E STUCCARE PRIMA DELLA VERNICIATURA
 COLLER ET MASTIQUER AVANT DE VERNIR
 KLEIBEN UND VERSTÜCKEN VOR DER LACKIERUNG

• HOW TO BEND SUSPENSIONS
 COME PIEGARE LE SOSPENSIONI
 COMME PLIER LES SUSPENSIONS
 BIEGUNG DER FEDERUNGEN

TAMEO KITS





TMK218

LIGIER MUGEN HONDA Js43

MONACO G.P. 1996

Manufactured under Licence from
"LIGIER SPORT SA."

Photos by Photo4

This kits is produced without any reference to tobacco
brand names due to legal restrictions regarding advertising

Questo kit è prodotto senza alcun riferimento a marchi di tabacco
a causa delle vigenti restrizioni in materia pubblicitaria

Cette maquette est produit sans référence du nom du tabac
à cause de disposition de la loi en cette matière

Gemäss des geltenden Werbeverbotes bezieht sich in keiner
Weise das Produkt Kit auf namhafte Tabakmarken

TAMEO KITS srl

Viale C.Colombo, 36-38

17022 BORGIO VEREZZI SV ITALY

Tel. 3919 - 615.250 Fax. 3919 - 615.310

E-Mail tame001@pn.itnet.it

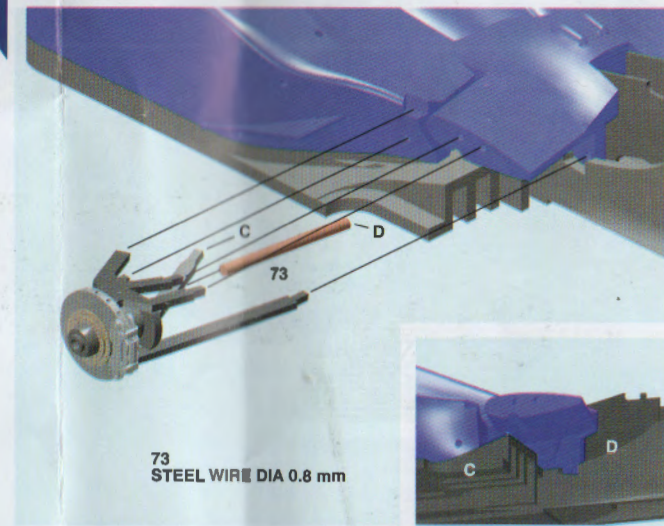
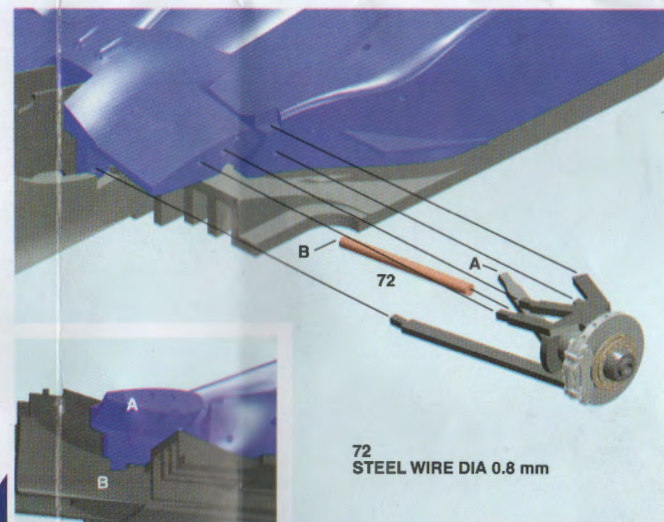
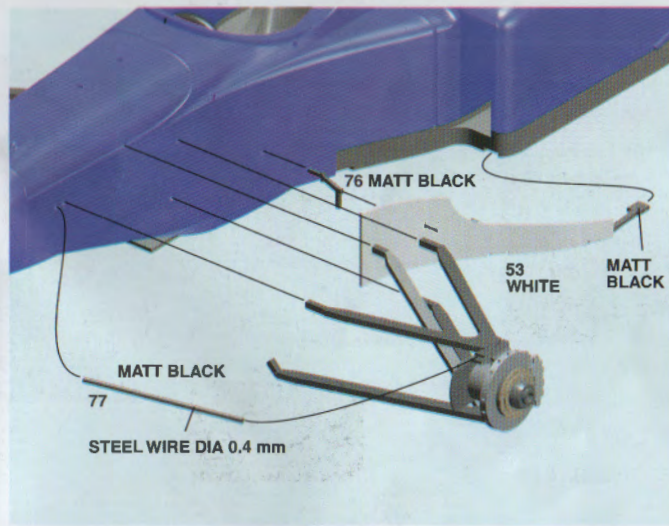
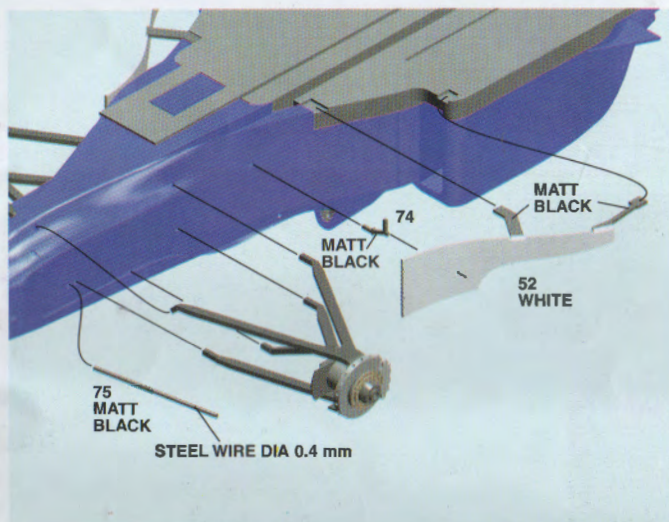
Made in Italy. Collector 1/43 Scale Models. Vietata la vendita ai minori di 14 anni. Nocivo per ingestione.
conservare fuori dalla portata dei bambini. Tameo Kits declina ogni responsabilità per un uso improprio del prodotto.

Made in Italy. Collector 1/43 Scale Models. Not for sale to persons under 14 years of age. Dangerous if swallowed.
Keep out of reach of children. Tameo Kits not held responsible for any damage or injury resulting from improper use
of the product.

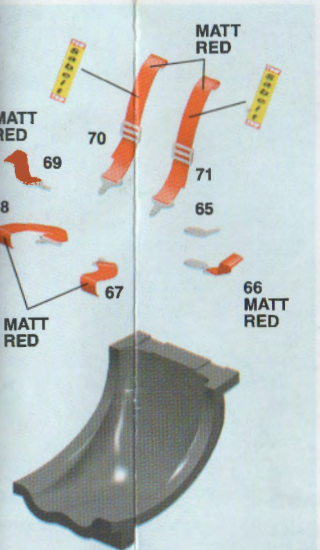
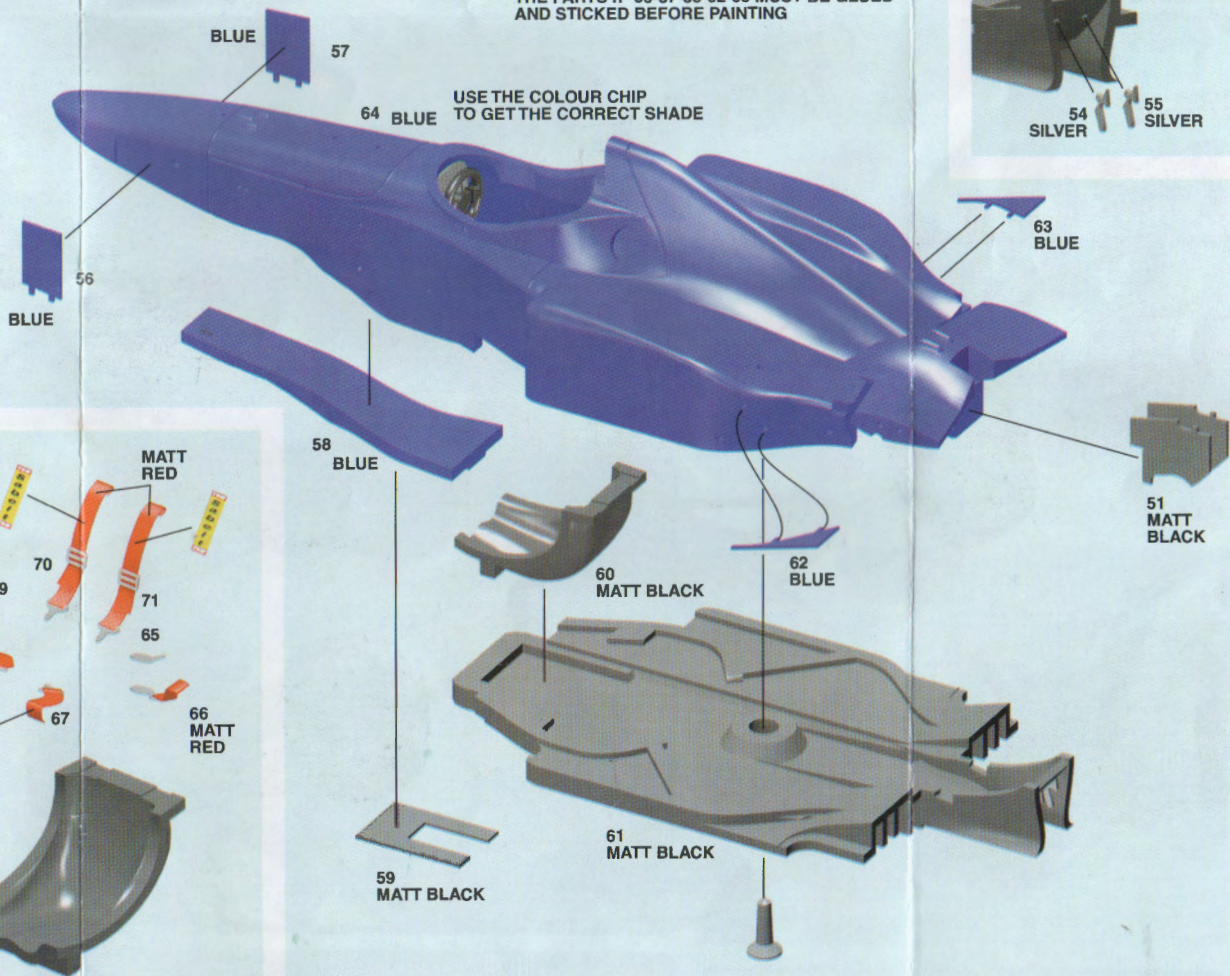
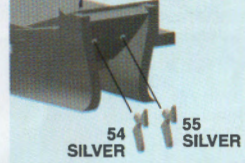
Made in Italy. Collector 1/43 Scale Models. Vente interdite aux enfants de moins de 14 ans. Dangereux si avalé.
conservé hors de la portée des enfants. Tameo Kits décline toute responsabilité dans le cas de dommages ou
préjudices dérivant de l'usage non approprié du produit.

Made in Italy. Collector 1/43 Scale Models. Verkauf an jugendliche unter 14 Jahren verboten.
Schädlich bei Einnahme. Von Kindern fernhalten.

Tameo Kits Lehnt jene Verantwortung bei unkorrektem Gebrauch seines Produktes ab.



THE PARTS n° 56-57-58-62-63 MUST BE GLUED AND STICKED BEFORE PAINTING



MONACO G.P. 1996



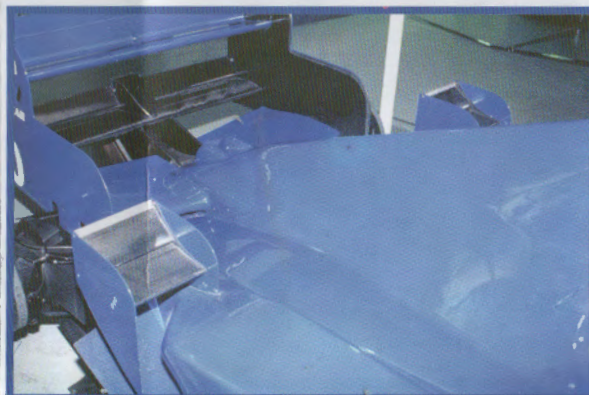
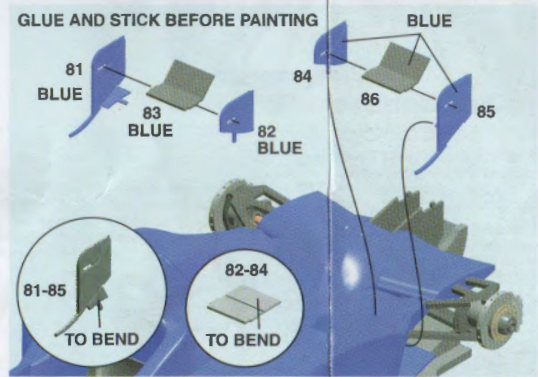
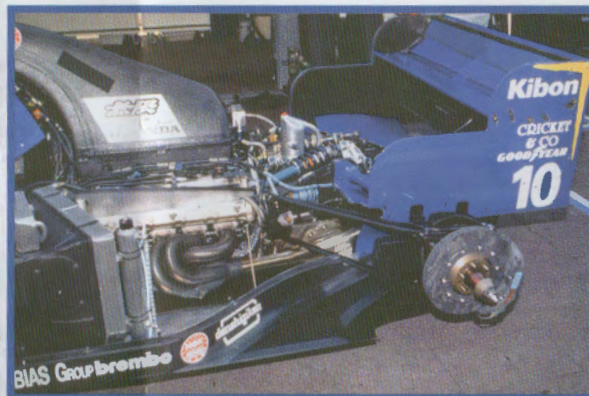
9 - Olivier Panis

1st.

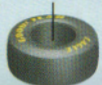


10 - Pedro Diniz

Ret.



87 - 88



89 - 90
GOLD



91 - 92
GOLD



PART n° 113
BLACK NYLON WIRE

SILVER /
101 102



110 BLUE
109 MATT BLACK

111 SILVER



SILVER
106 105

112 MATT BLACK

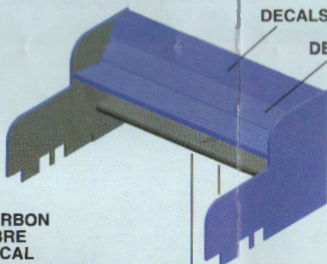
113

MATT BLACK
114 SILVER



100 99 SILVER

DECALS
DECALS



CARBON FIBRE
DECAL

CARBON FIBRE
DECAL

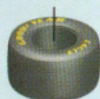
108 BLUE

107 MATT BLACK

103 104
SILVER



93 - 94



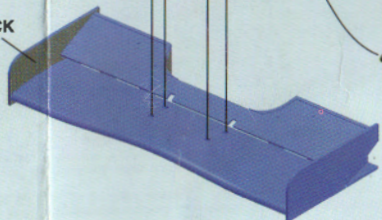
95 - 96
GOLD



97 - 98
GOLD



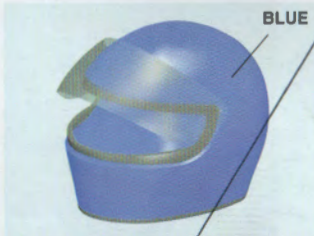
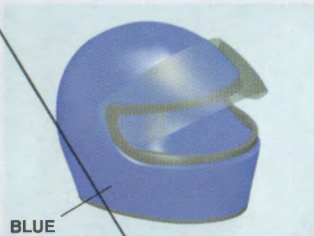
MATT BLACK

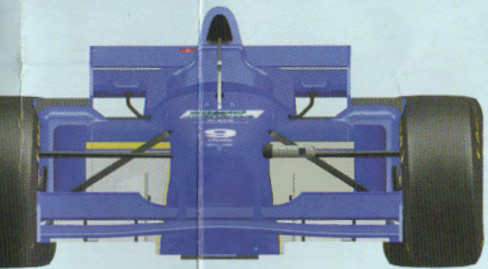




PANIS

DINIZ





LEFT SIDE

